

Ax8 7x50

Bx8

Cx8

Dx2

Fx2

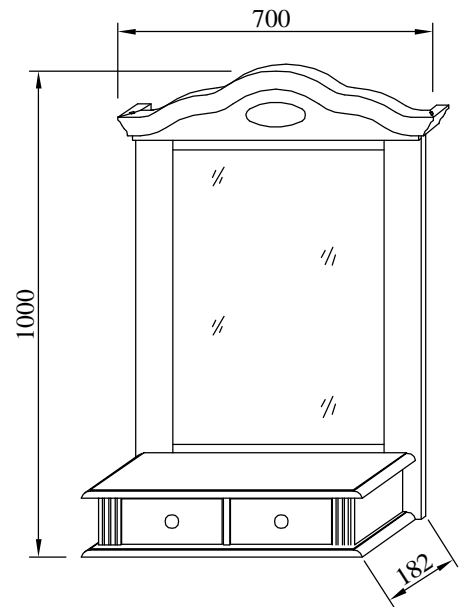
Gx4 3,5x15

Hx8 3,5x35

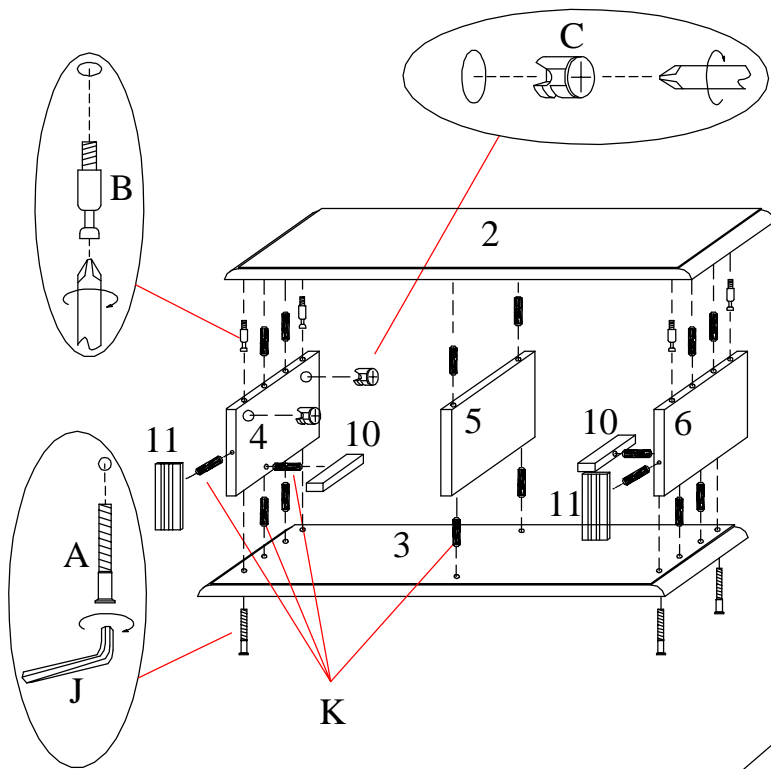
Jx1

Kx32 8x32

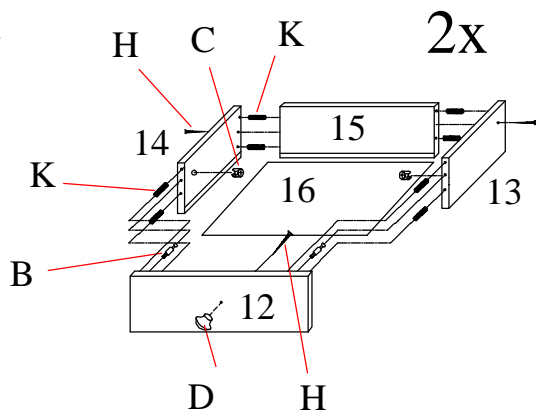
Lx2



①



②



③

