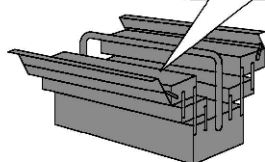
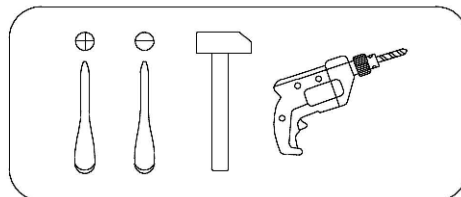
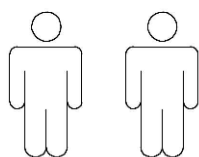
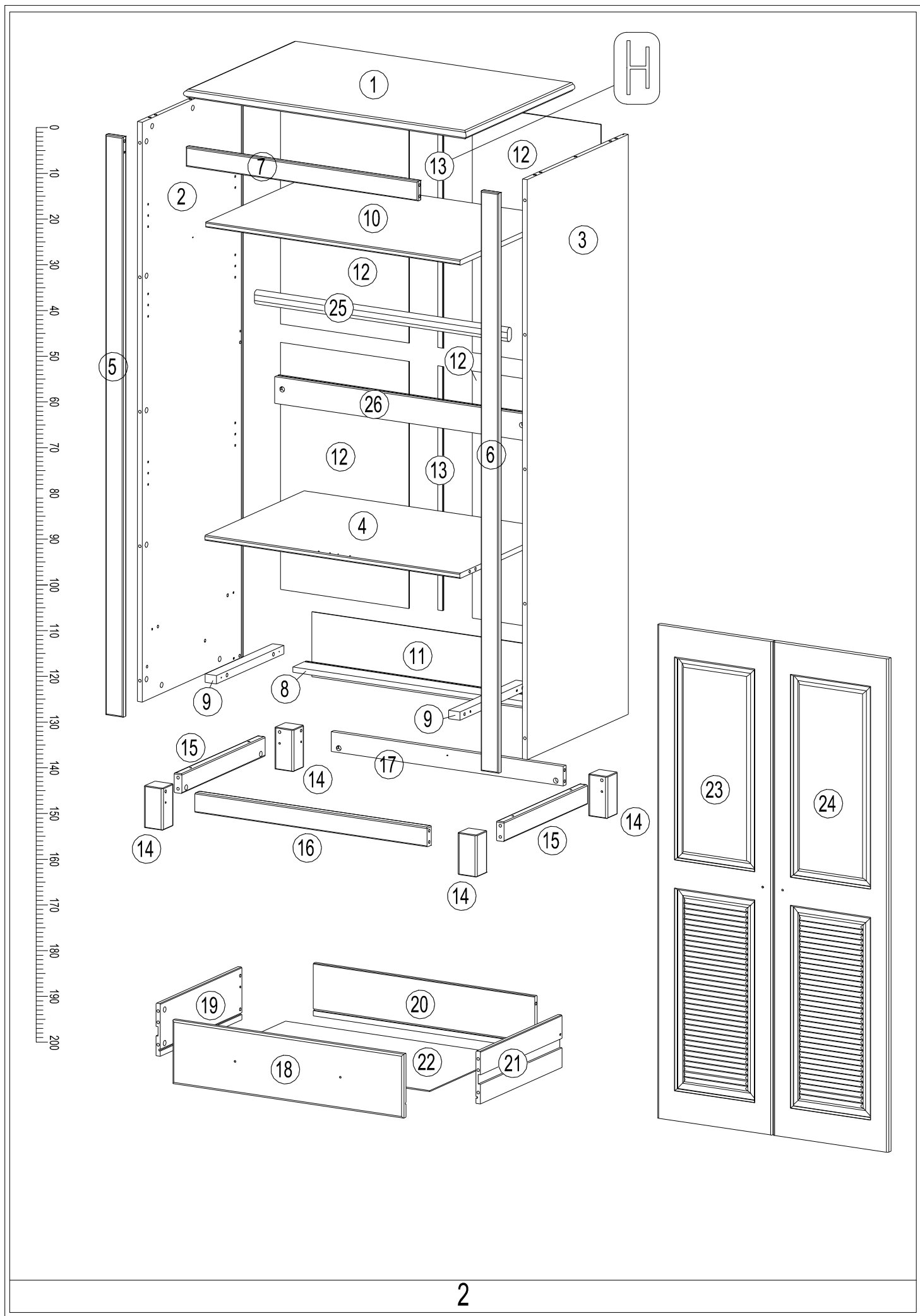
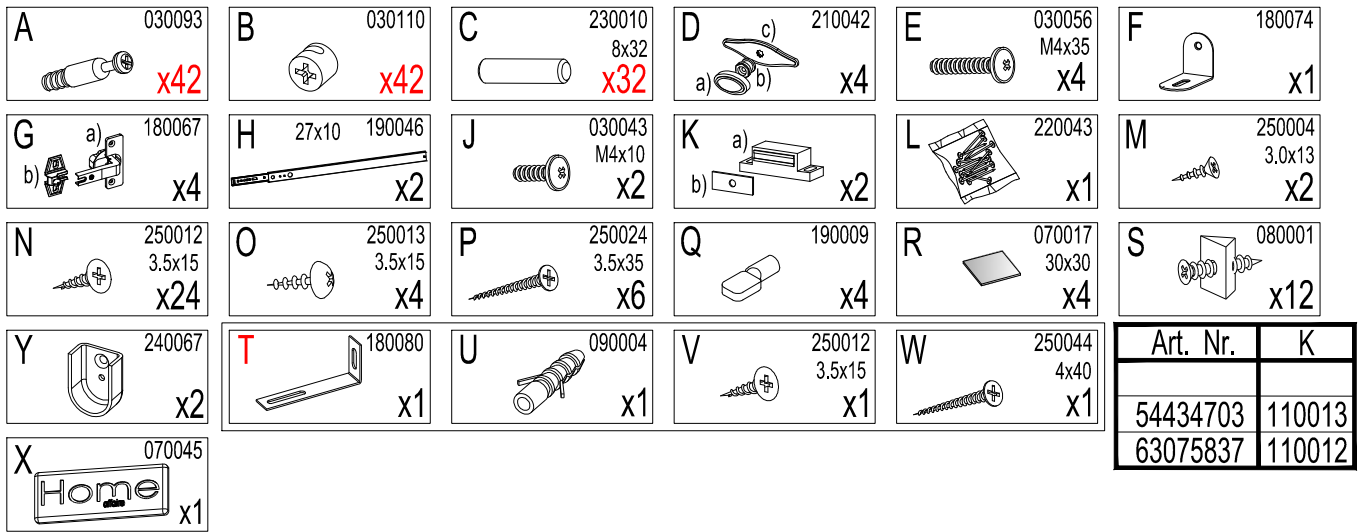


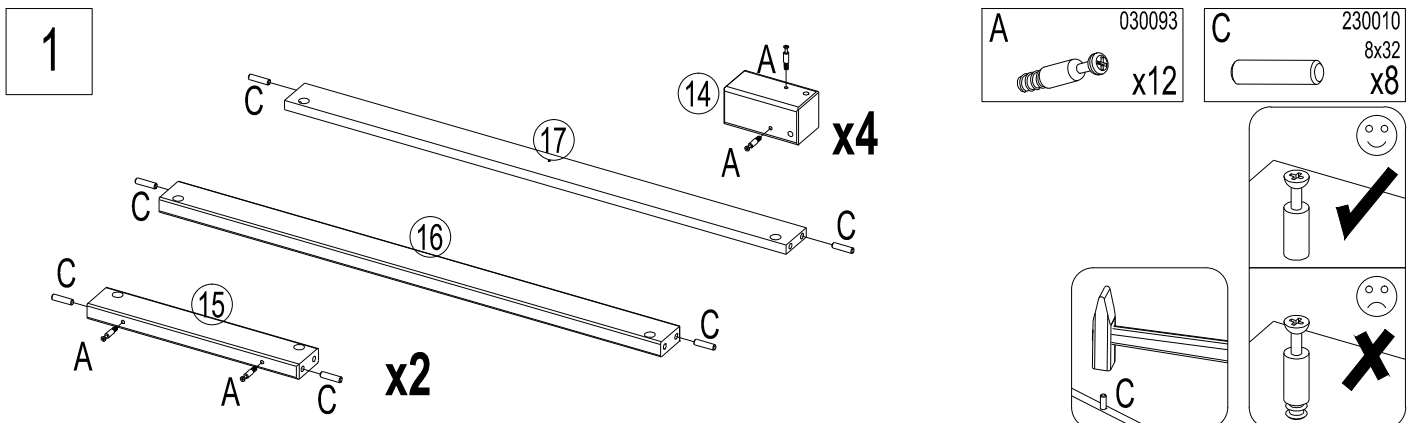
- | | | | |
|-----------|------------------------------------|-----------|--------------------------------|
| D | Montageanleitung | GB | Assembly instructions |
| FR | Notice de montage | IT | Istruzioni di montaggio |
| NL | Handleiding voor de montage | PL | Instrukcja montażu |
| CZ | Montážní návod | SK | Návod na montáž |
| HU | Szerelési útmutató | RO | Instrukțiuni de montaj |
| TR | Montaj talimatı | RU | Инструкция по монтажу |



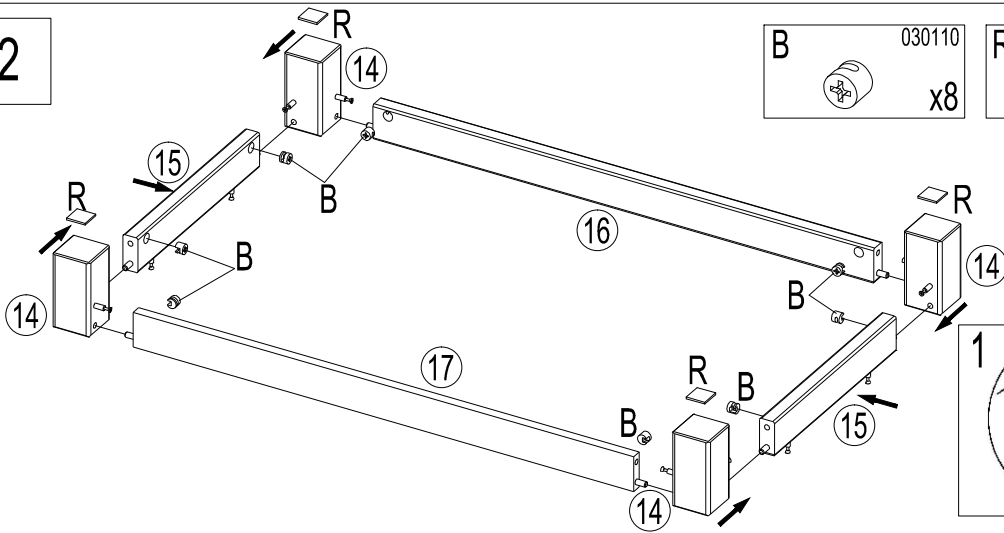




No	Size/MaB (mm)	Qty	✓	No	Size/MaB (mm)	Qty	✓
1	900x600x24	1		14	120x60x60	4	
2	1656x558x15	1		15	460x56x24	2	
3	1656x558x15	1		16	739x56x24	1	
4	811x547x15	1		17	739x56x15	1	
5	1656x56x18	1		18	735x182x18	1	
6	1656x56x18	1		19	450x150x14	1	
7	739x56x18	1		20	705x150x14	1	
8	811x74x15	1		21	450x150x14	1	
9	436x36x24	2		22	714x442x3	1	
10	810x545x15	1		23	1409x366x18	1	
11	820x185x3	1		24	1409x366x18	1	
12	699x409x3	4		25	805x40x24	1	
13	687x17x7	2		26	811x76x24	1	

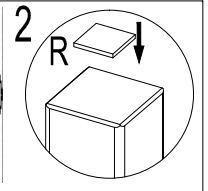
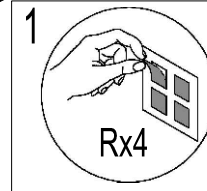
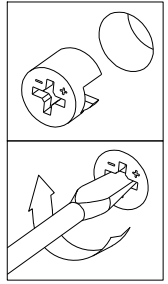


2

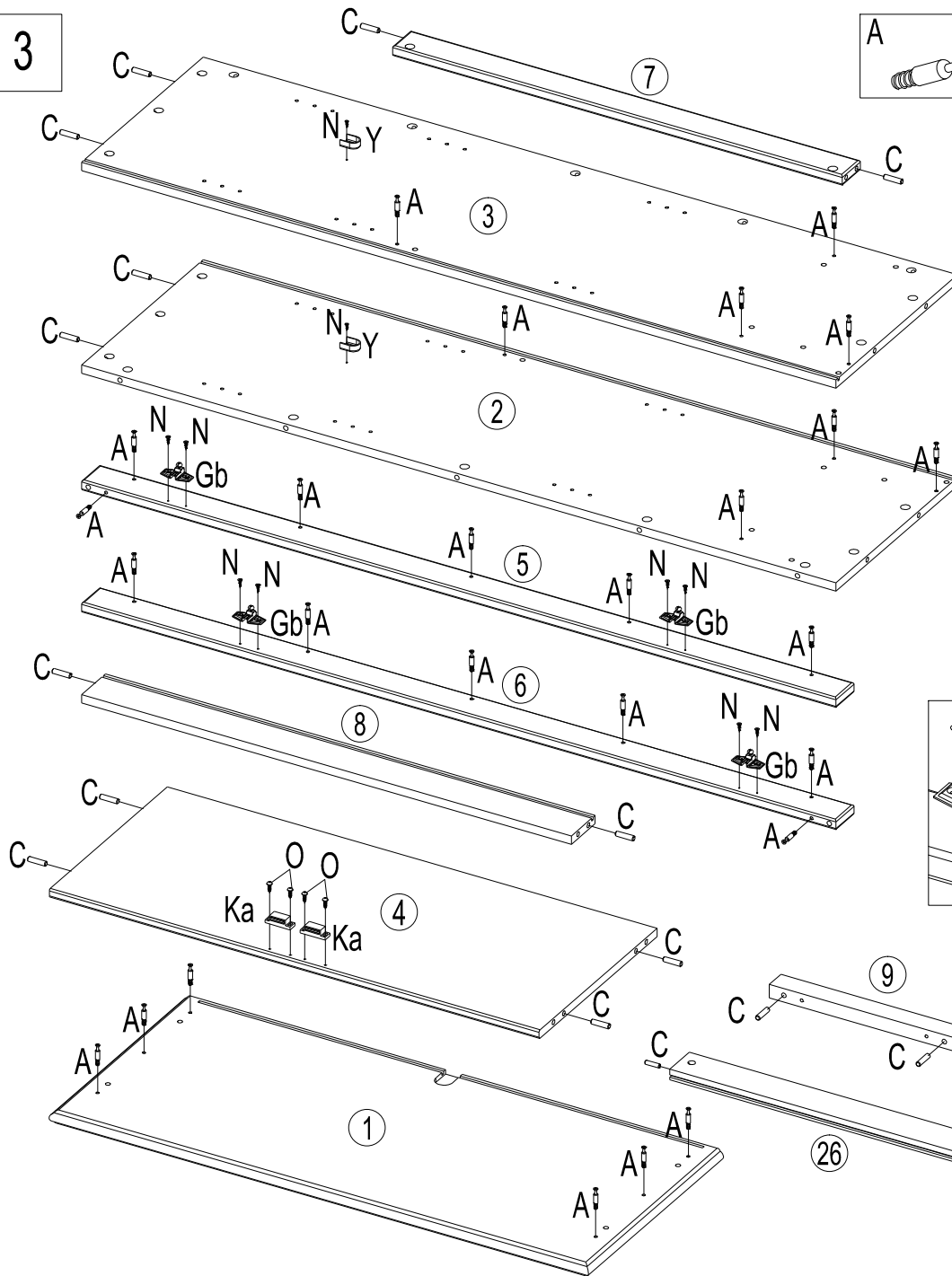


B 030110
x8

R 070017
30x30
x4



3



A 030093
x26

C 230010
8x32
x18

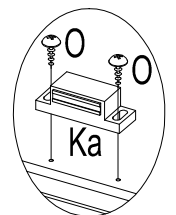
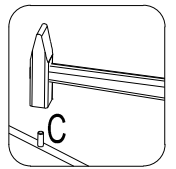
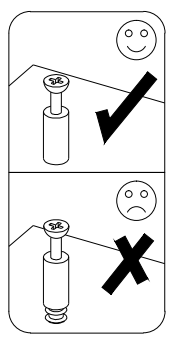
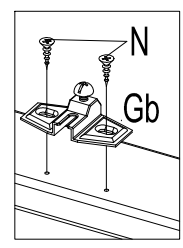
G 180067
x4

K a) x2

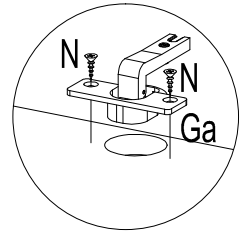
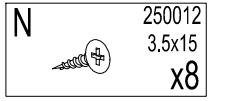
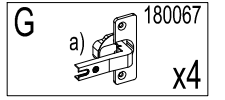
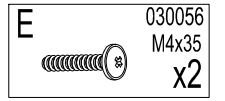
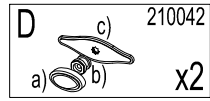
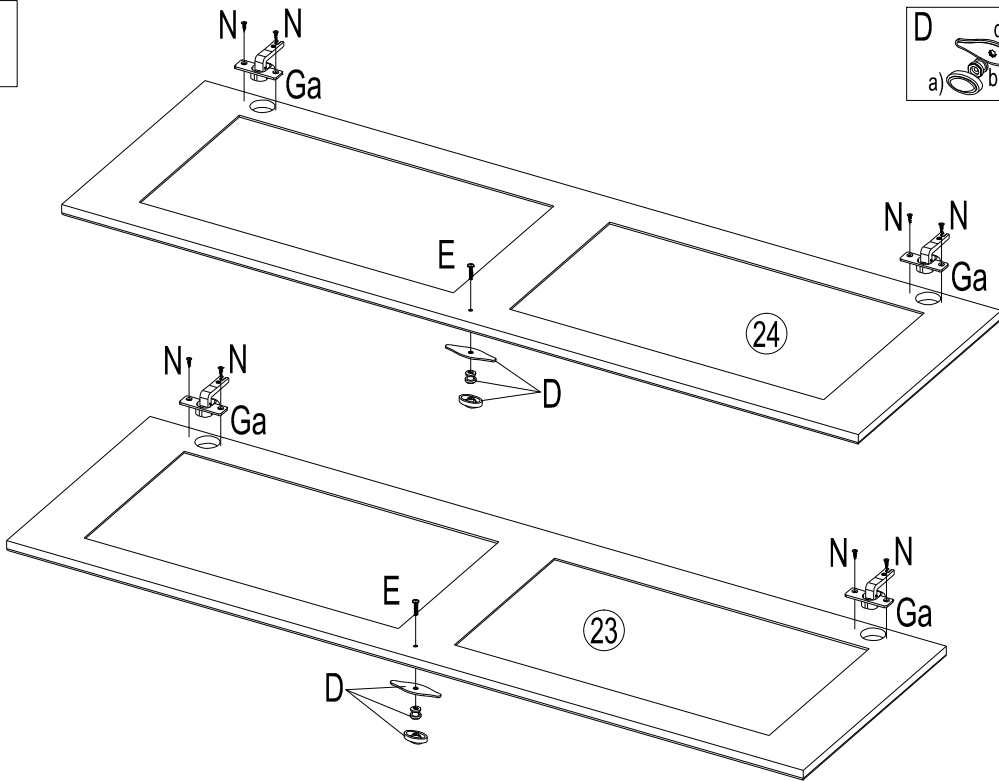
N 250012
3.5x15
x10

O 250013
3.5x15
x4

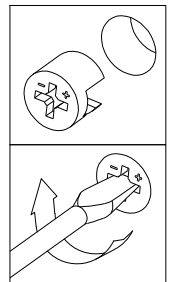
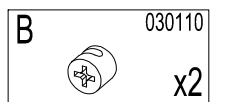
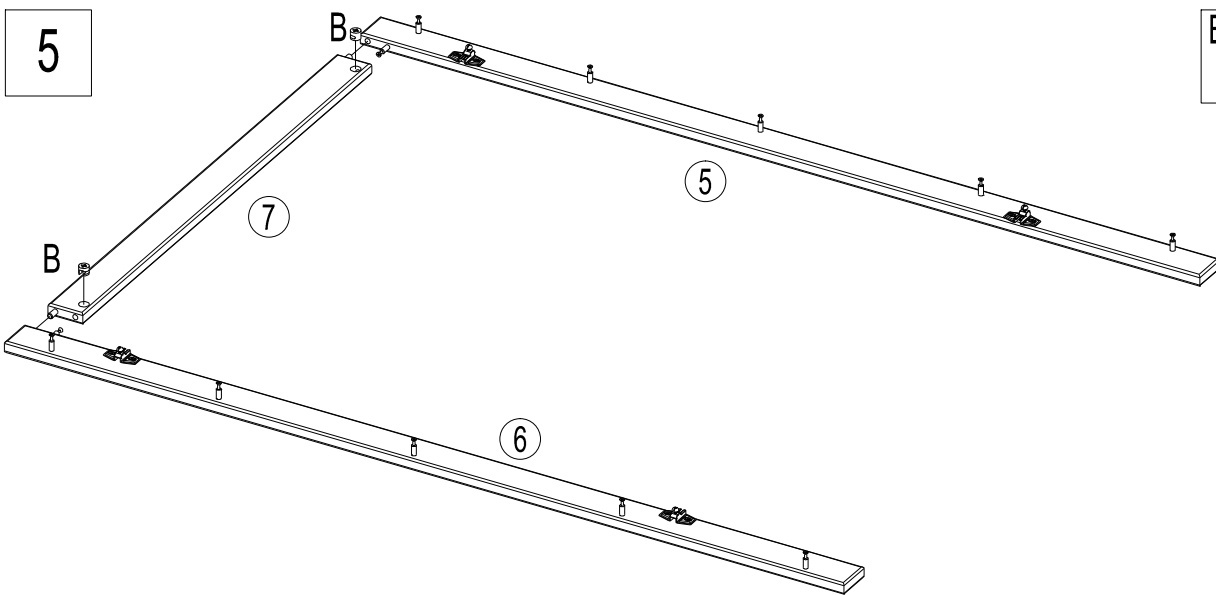
Y 240067
x2



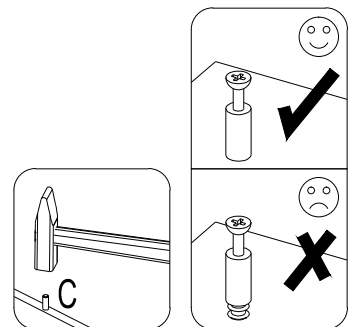
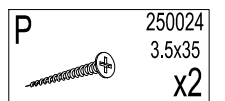
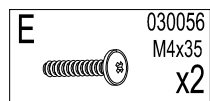
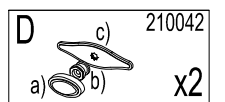
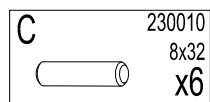
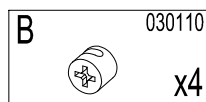
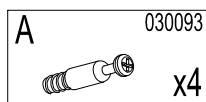
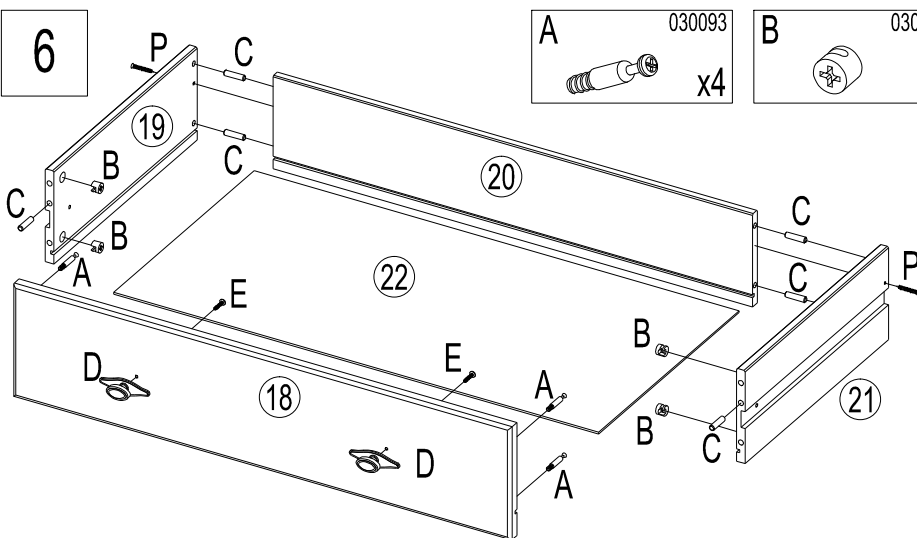
4



5



6



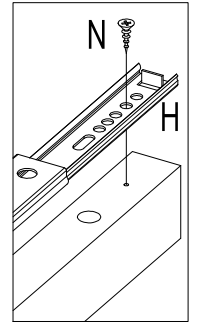
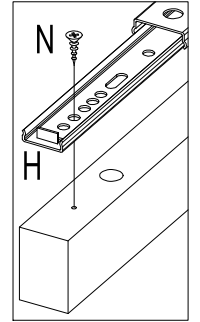
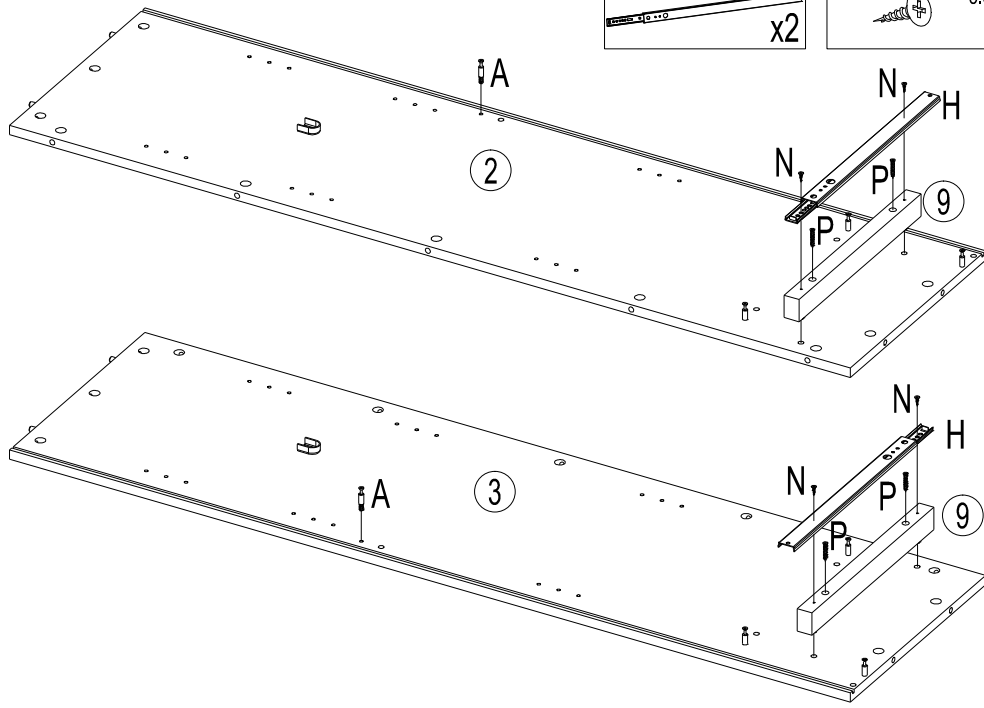
5

7

H 27x10 190046
x2

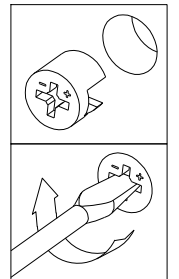
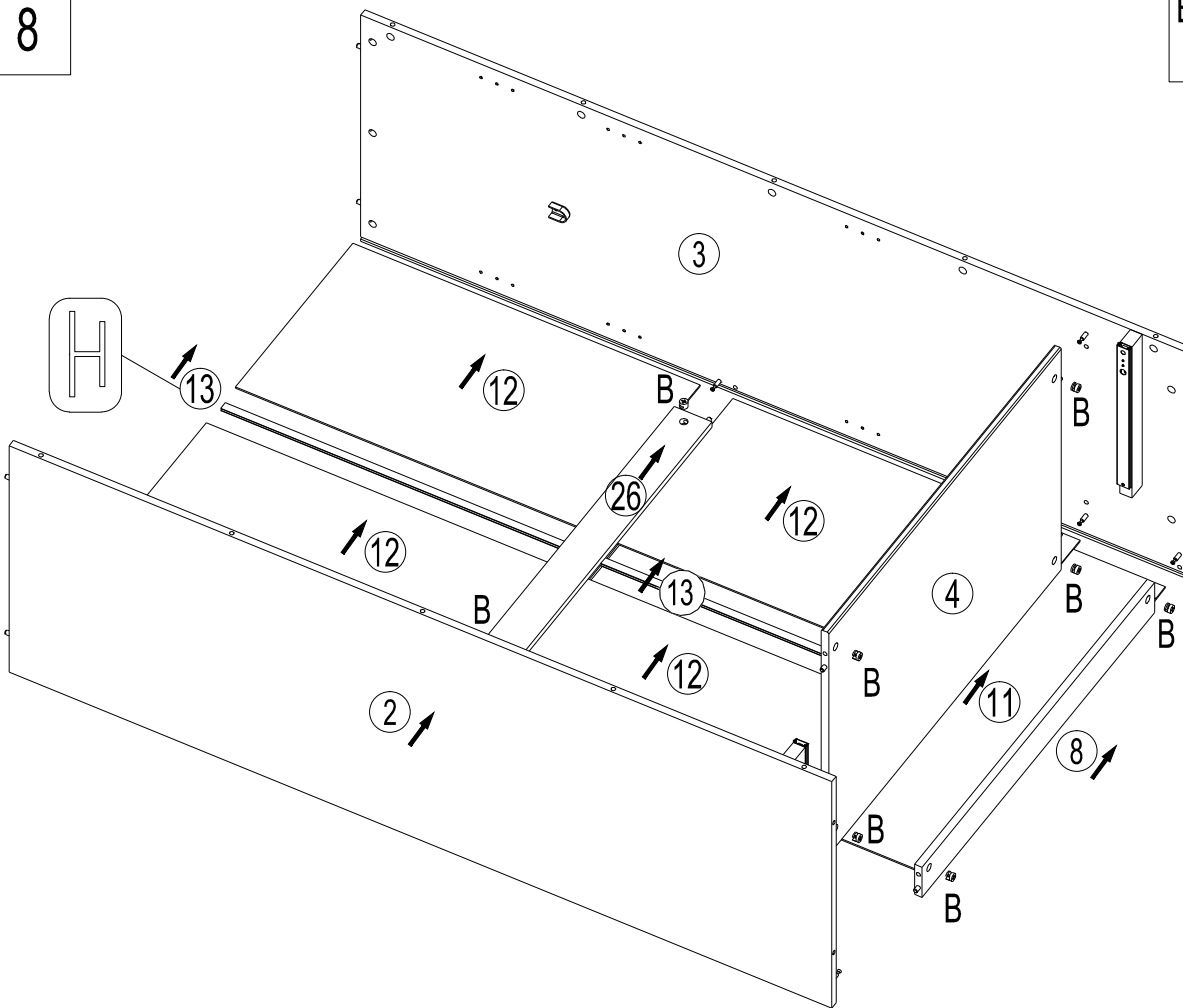
N 250012
3.5x15
x4

P 250024
3.5x35
x4



8

B 030110
x8



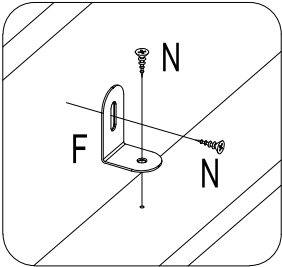
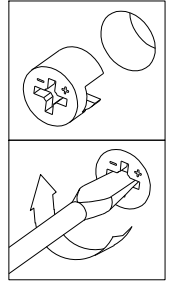
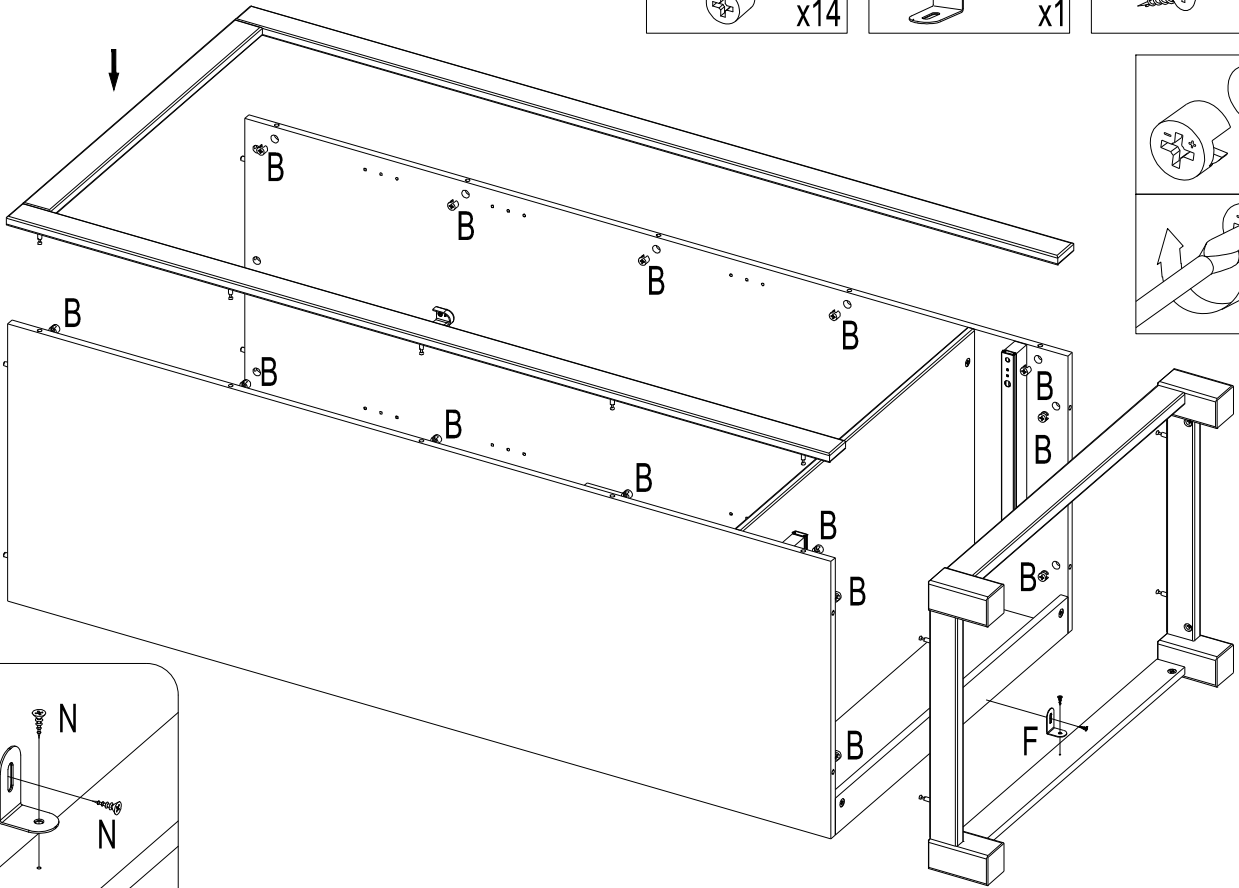
6

9

B 030110 x14

F 180074 x1

N 250012 3.5x15 x2

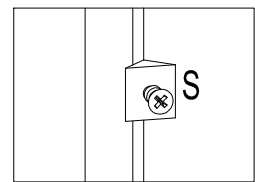
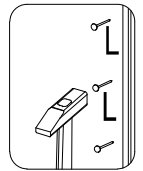
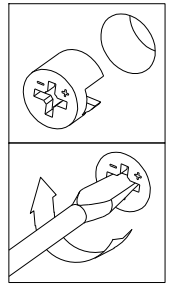
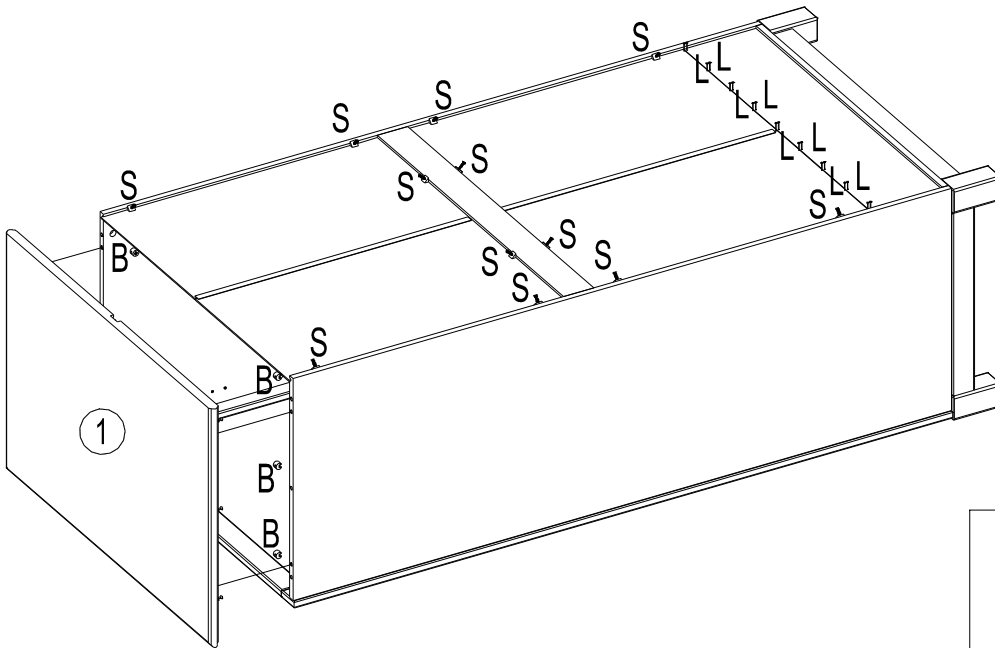


10

B 030110 x6

L 220043 x1

S 080001 x12



11

J 030043
M4x10
x2

K b) x2

Q 190009
x4

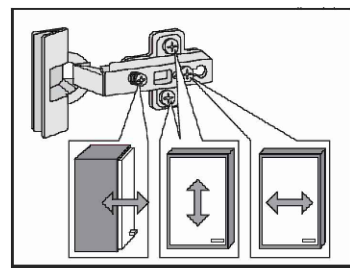
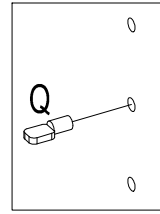
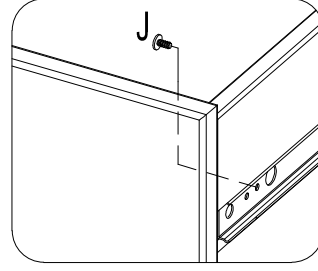
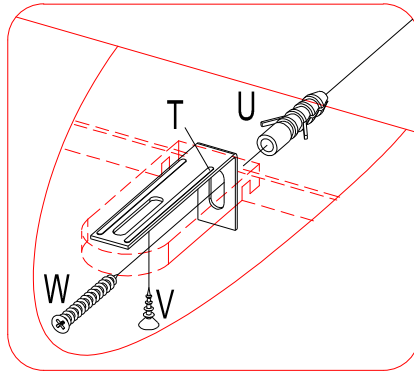
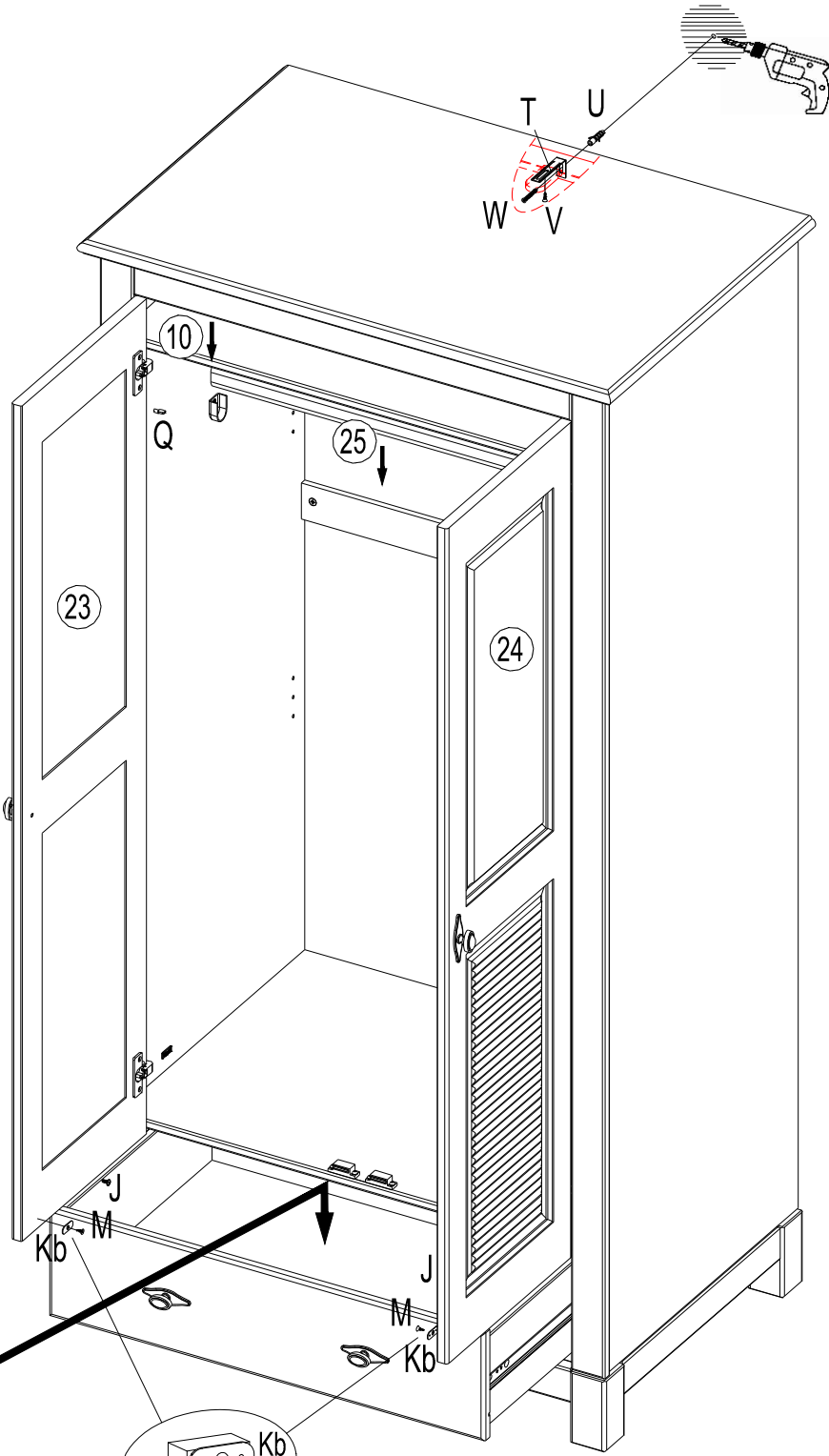
M 250004
3.0x13
x2

T 180080
x1

U 090004
x1

V 250012
3.5x15
x1

W 250044
4x40
x1



5 kg

