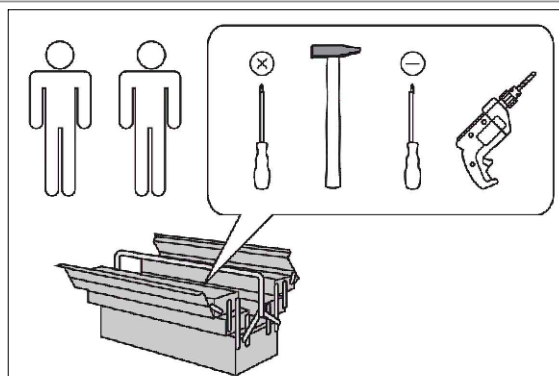
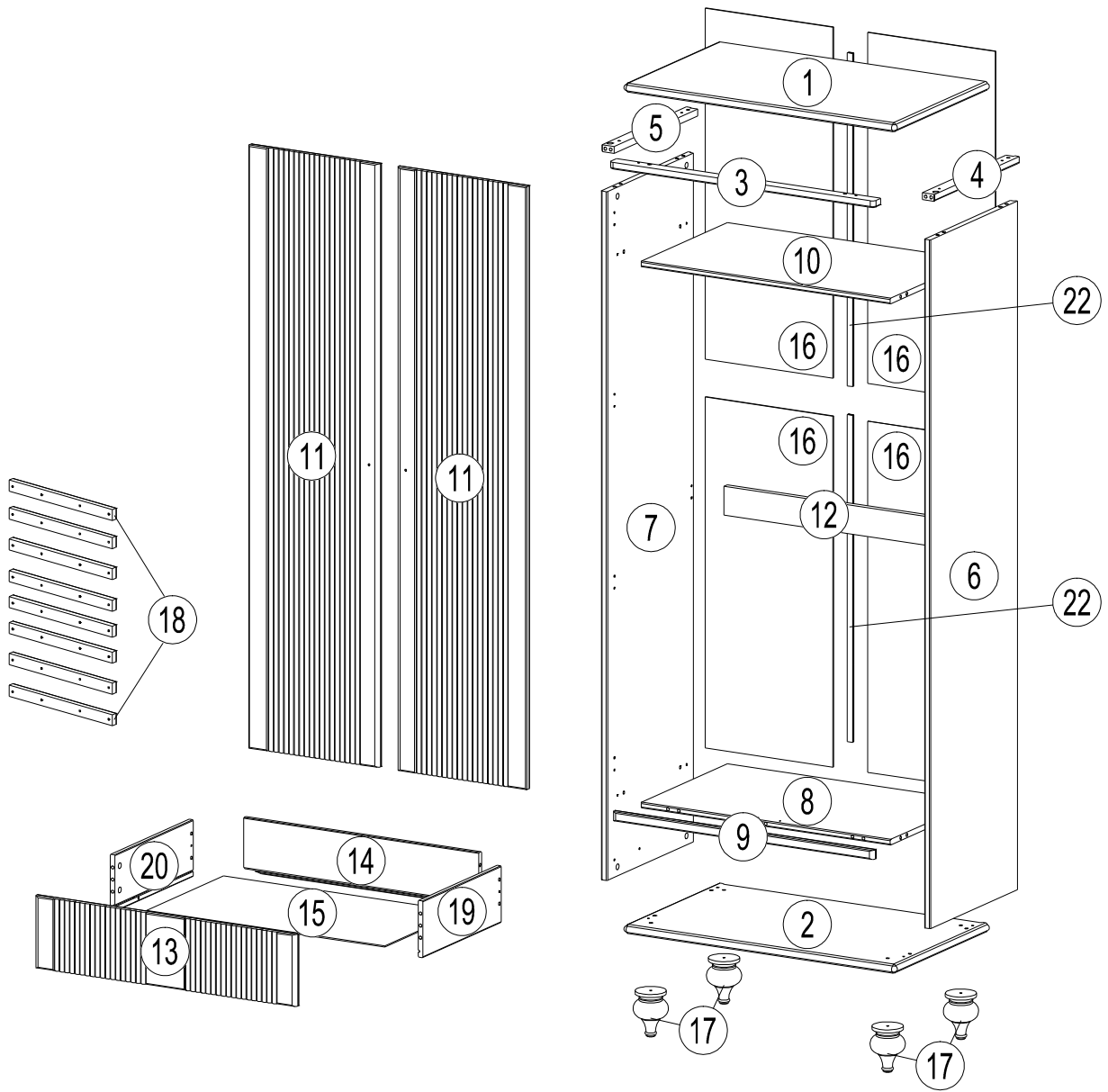
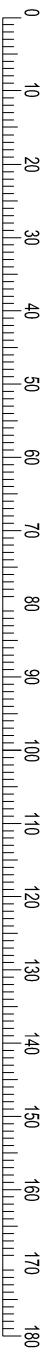






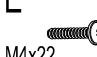
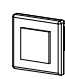

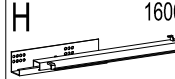
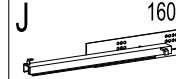


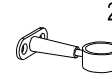
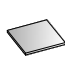
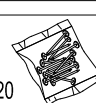
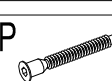
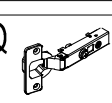
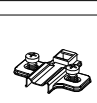
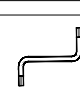
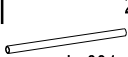



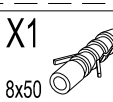
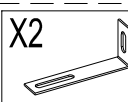
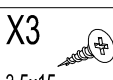

- | | |
|---------------------------------------|------------------------------------|
| D Montageanleitung | GB Assembly instructions |
| FR Notice de montage | IT Istruzioni di montaggio |
| NL Handleiding voor de montage | PL Instrukcja montażu |
| CZ Montážní návod | SK Návod na montáž |
| HU Szerelési útmutató | RO Instrucțiunile de montaj |
| TR Montaj talimatı | RU Инструкция по монтажу |



1-8

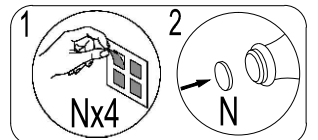
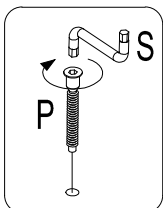
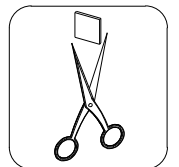
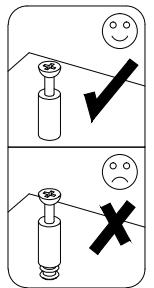
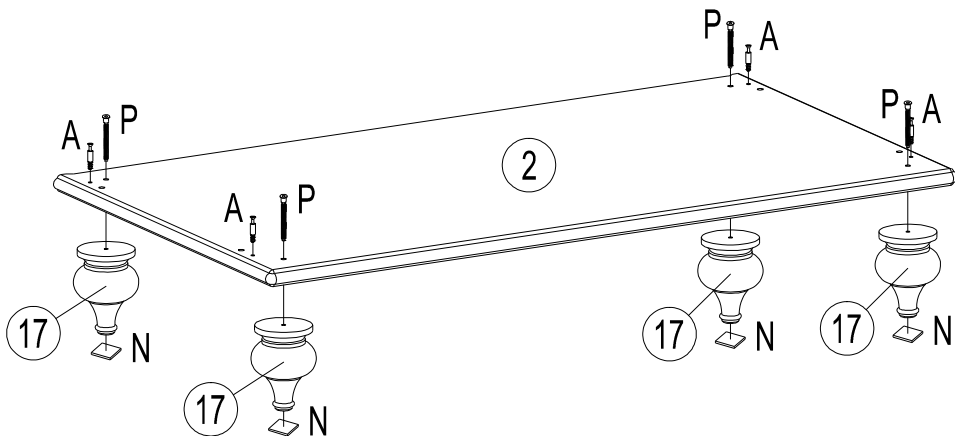
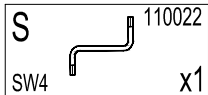
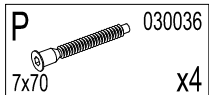
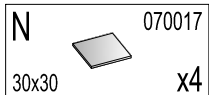
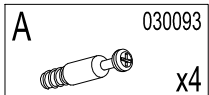
EAC



A  030093 x29	B  030110 x29	C  230010 8x32 x26	D  230011 8x20 x4	E  030052 M4x22 x3	F  210118 x3
G  030011 x4	H  160053 x1	J  160053 x1	K  250012 3,5x15 x20	L  250024 3,5x35 x9	M  240075 x2
N  070017 30x30 x4	O  220043 1,2x20 x3	P  030036 7x70 x4	Q  180099 x8	R  180035 x8	S  110022 SW4 x1
T  240077 L=394 x1	U  250018 3,5x25 x32	V  140005 x2	W  250004 3x13 x4	X1  090001 8x50 x1	X2  180080 x1
				X3  250012 3,5x15 x1	X4  250069 5x50 x1

No	Size/MaB (mm)	Qty	✓	No	Size/MaB (mm)	Qty	✓
1	804x480x24	1		12	734x76x18	1	
2	804x480x24	1		13	770x190x18	1	
3	780x36x18	1		14	693x142x14	1	
4	432x36x18	1		15	702x392x3	1	
5	432x36x18	1		16	927x376x3	4	
6	1819x445x18	1		17	120x90x90	4	
7	1819x445x18	1		18	344x30x18	8	
8	734x440x15	1		19	400x150x14	1	
9	770x24x18	1		20	400x150x14	1	
10	734x440x15	1		22	879x17x7	2	
11	1593x383x18	2					

1



2

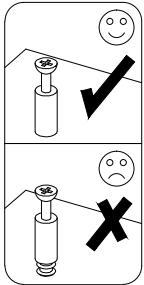
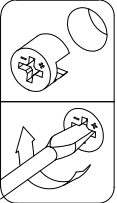
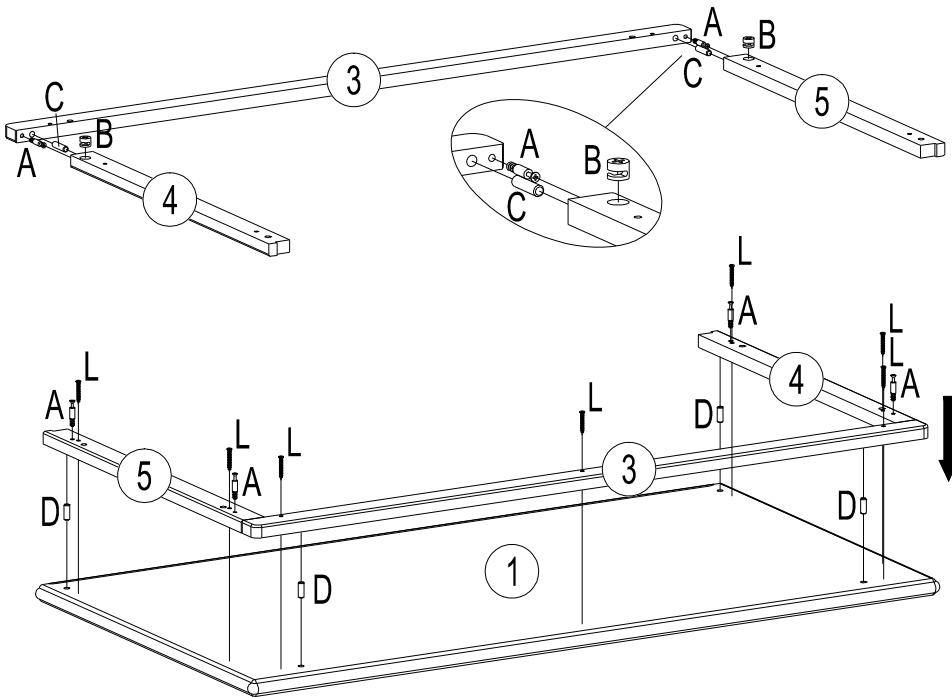
A 030093 x6

B 030110 x2

C 230010 8x32 x2

D 230011 8x20 x4

L 250024 3,5x35 x7



3

A 030093 x3

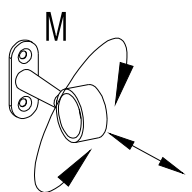
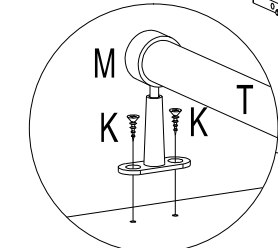
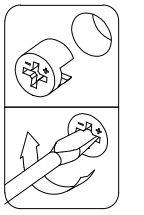
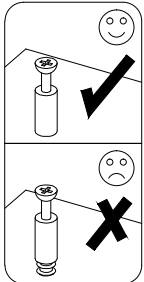
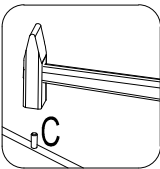
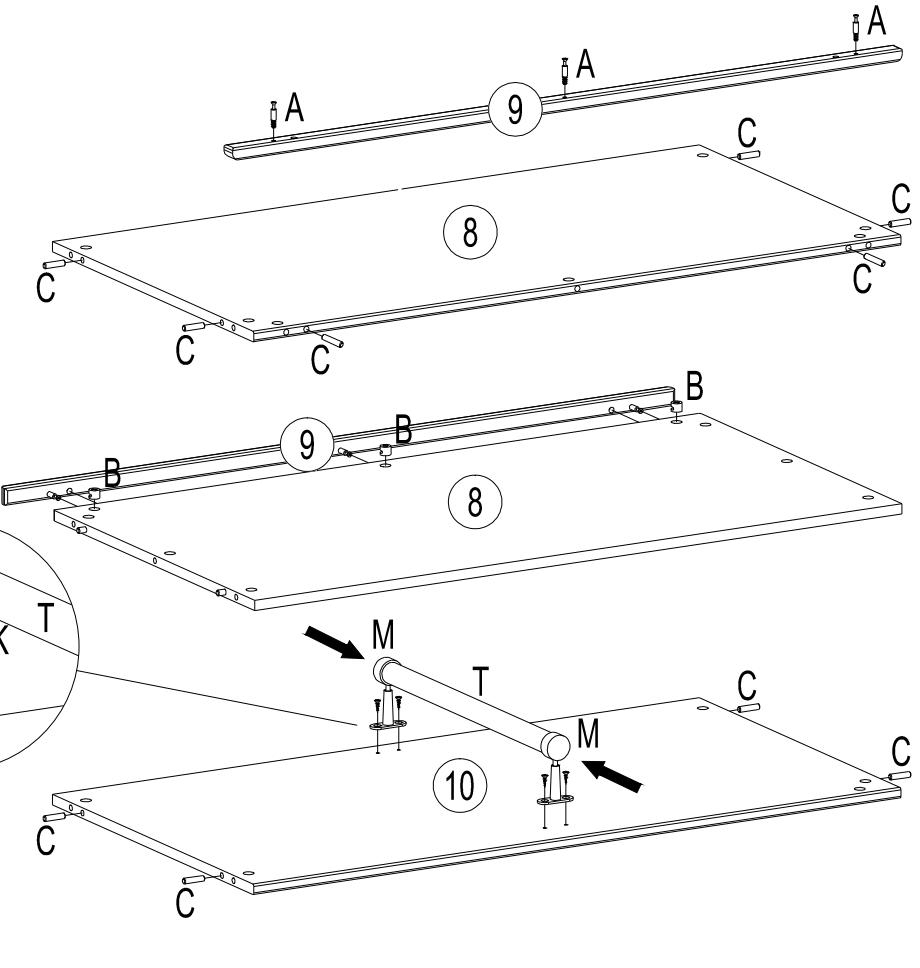
B 030110 x3

C 230010 8x32 x10

K 250012 3,5x15 x4

M 240075 x2

T 240077 L=394 x1

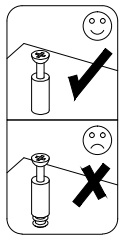
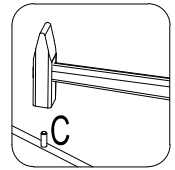
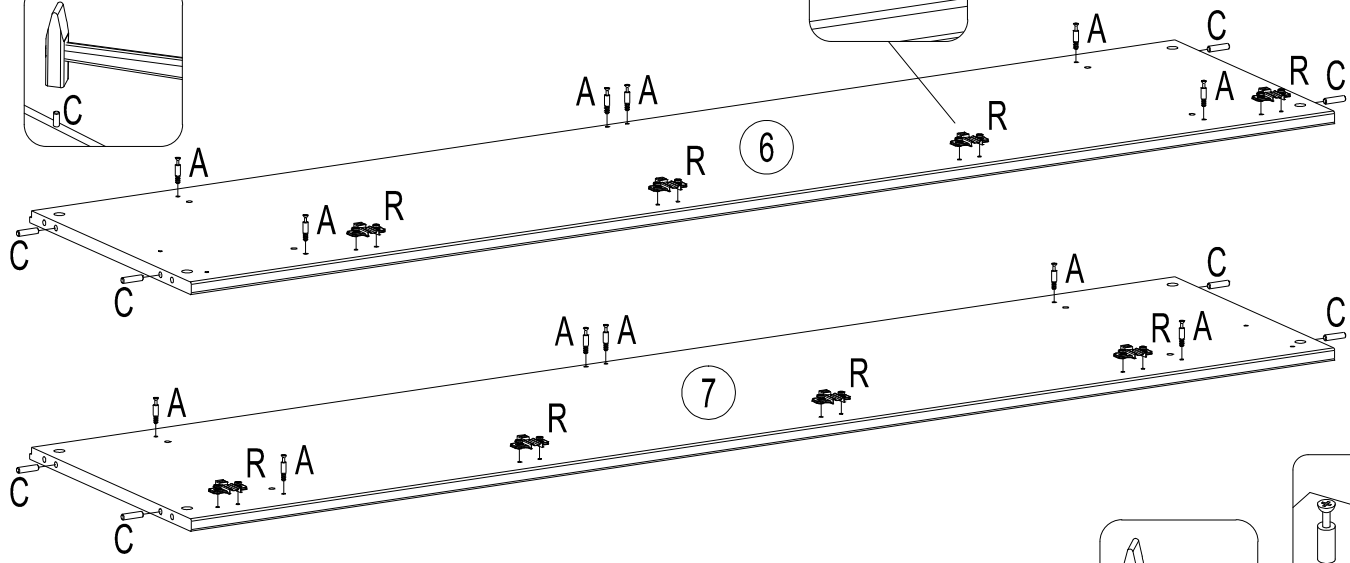
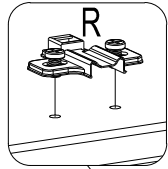
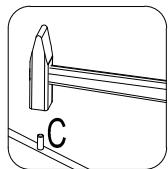


4

A 030093 x12

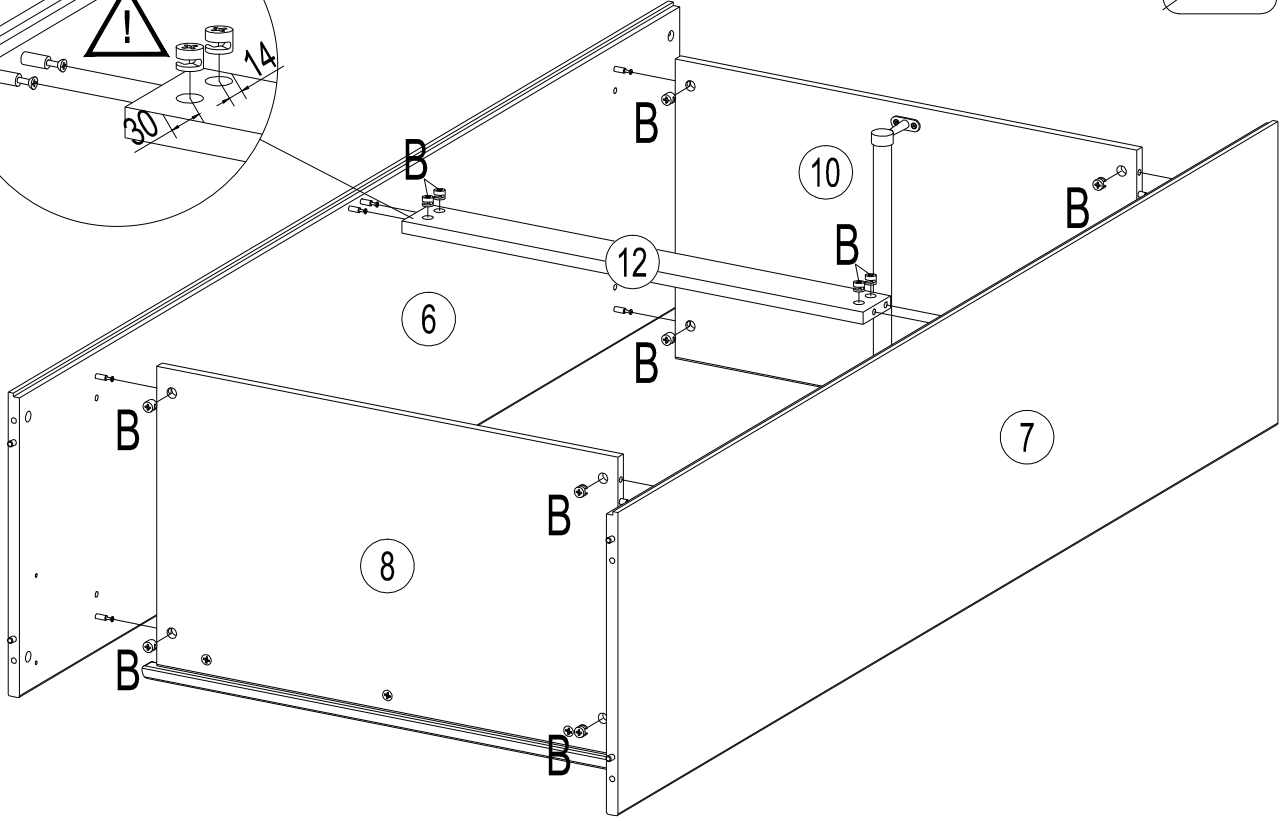
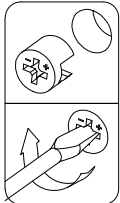
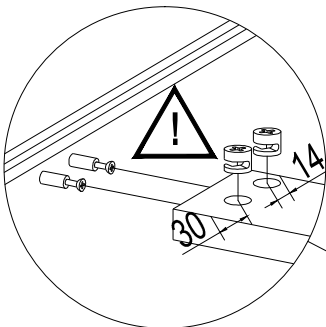
C 230010 8x32 x8

R 180035 x8



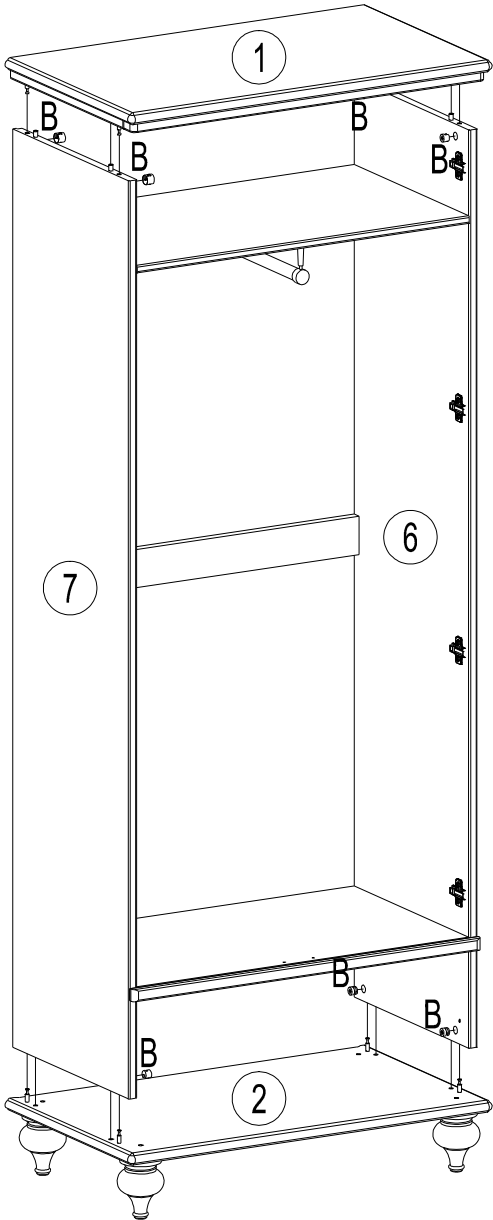
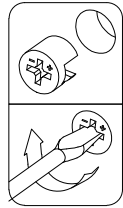
5

B 030110 x12



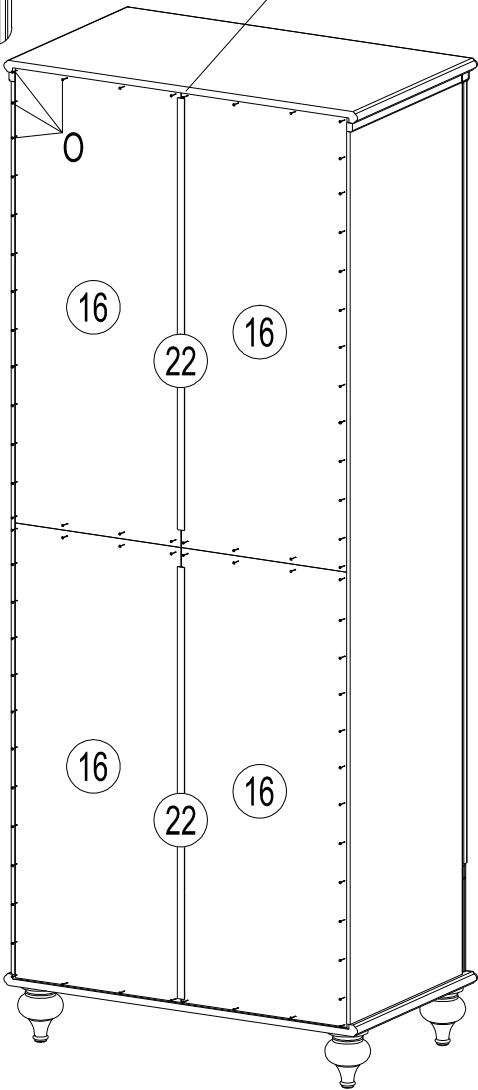
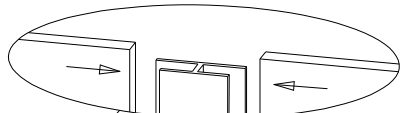
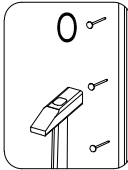
6

B 030110
x8



7

O 220043
1,2x20 x3

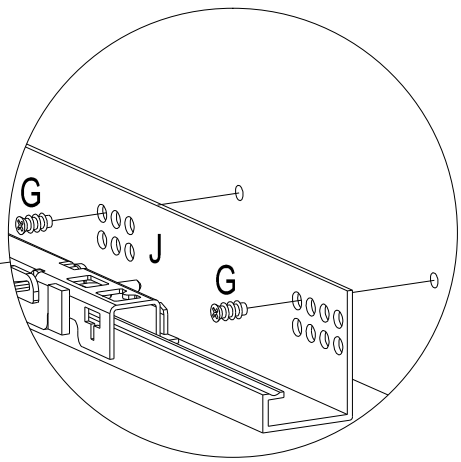
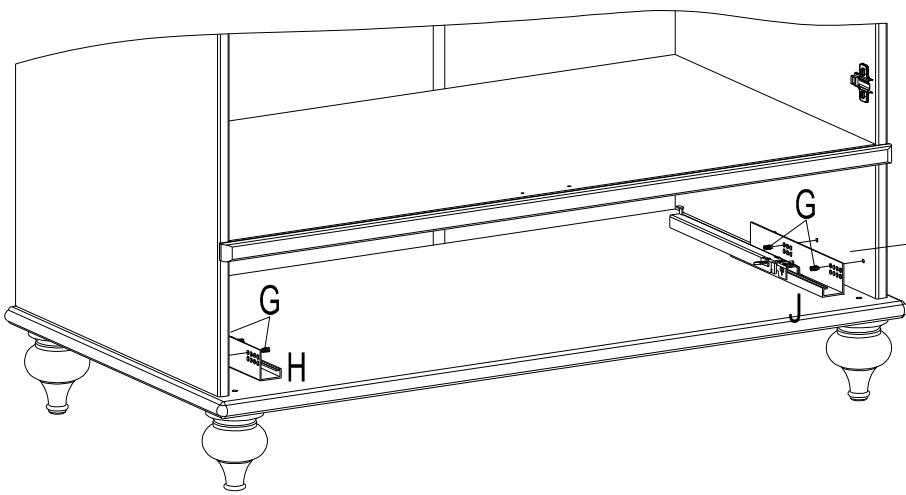


8

G 030011
x4

H 160053
x1

J 160053
x1



9

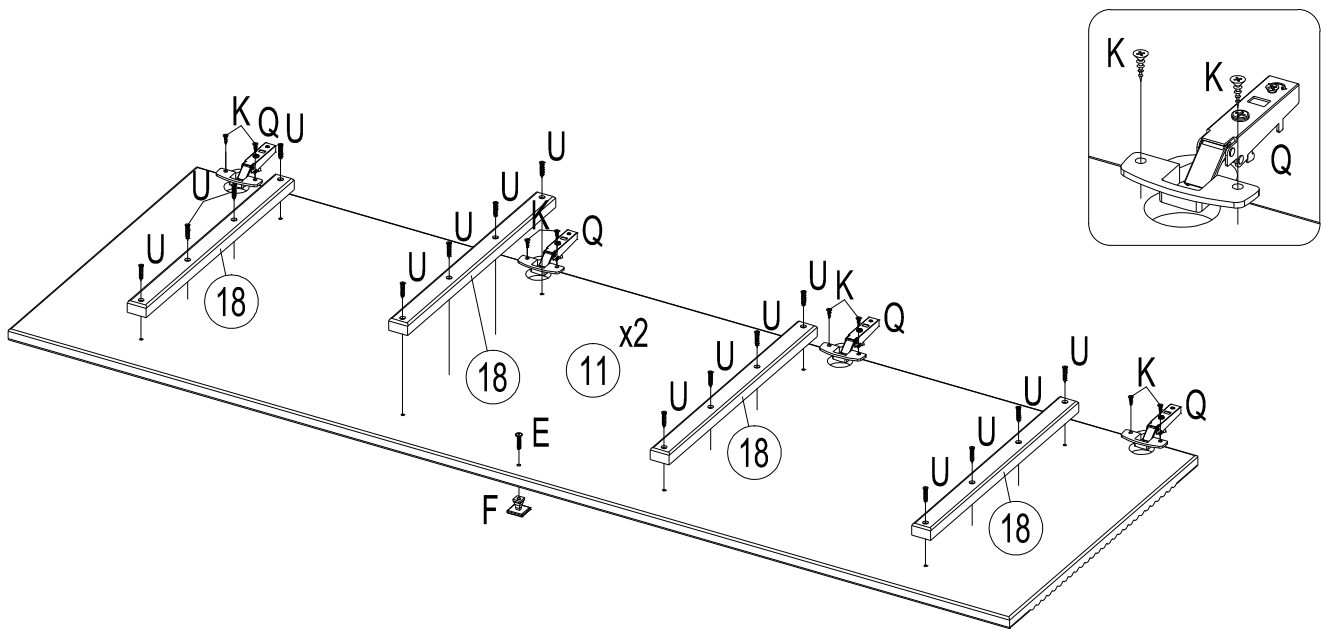
E 030052
M4x22 x2

F 210118
x2

K 250012
3,5x15 x16

Q 180099
x8

U 250018
3,5x25 x32



10

A 030093
x4

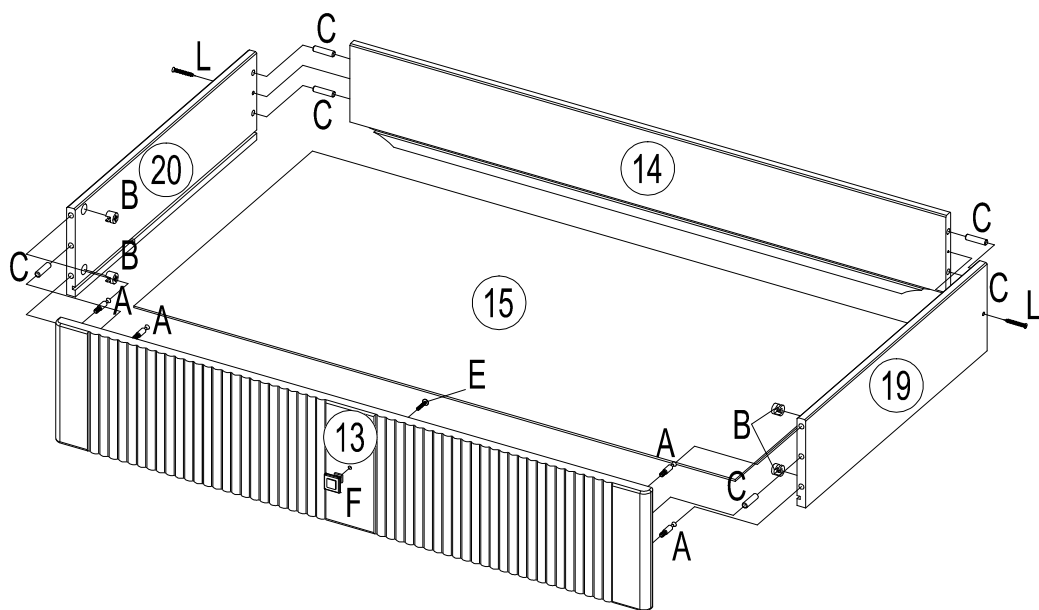
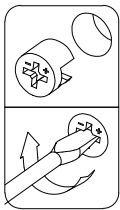
B 030110
x4

C 230010
8x32 x6

E 030052
M4x22 x1

F 210118
x1

L 250024
3,5x35 x2



11	V 140005 x2	W 250004 3x13 x4	X1 090001 8x50 x1	X2 180080 x1	X3 250012 3,5x15 x1	X4 250069 5x50 x1
----	----------------	---------------------	----------------------	-----------------	------------------------	----------------------

