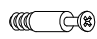


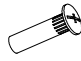

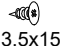

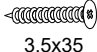

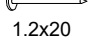
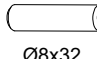
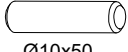









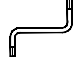

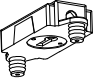
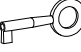







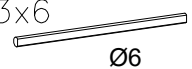


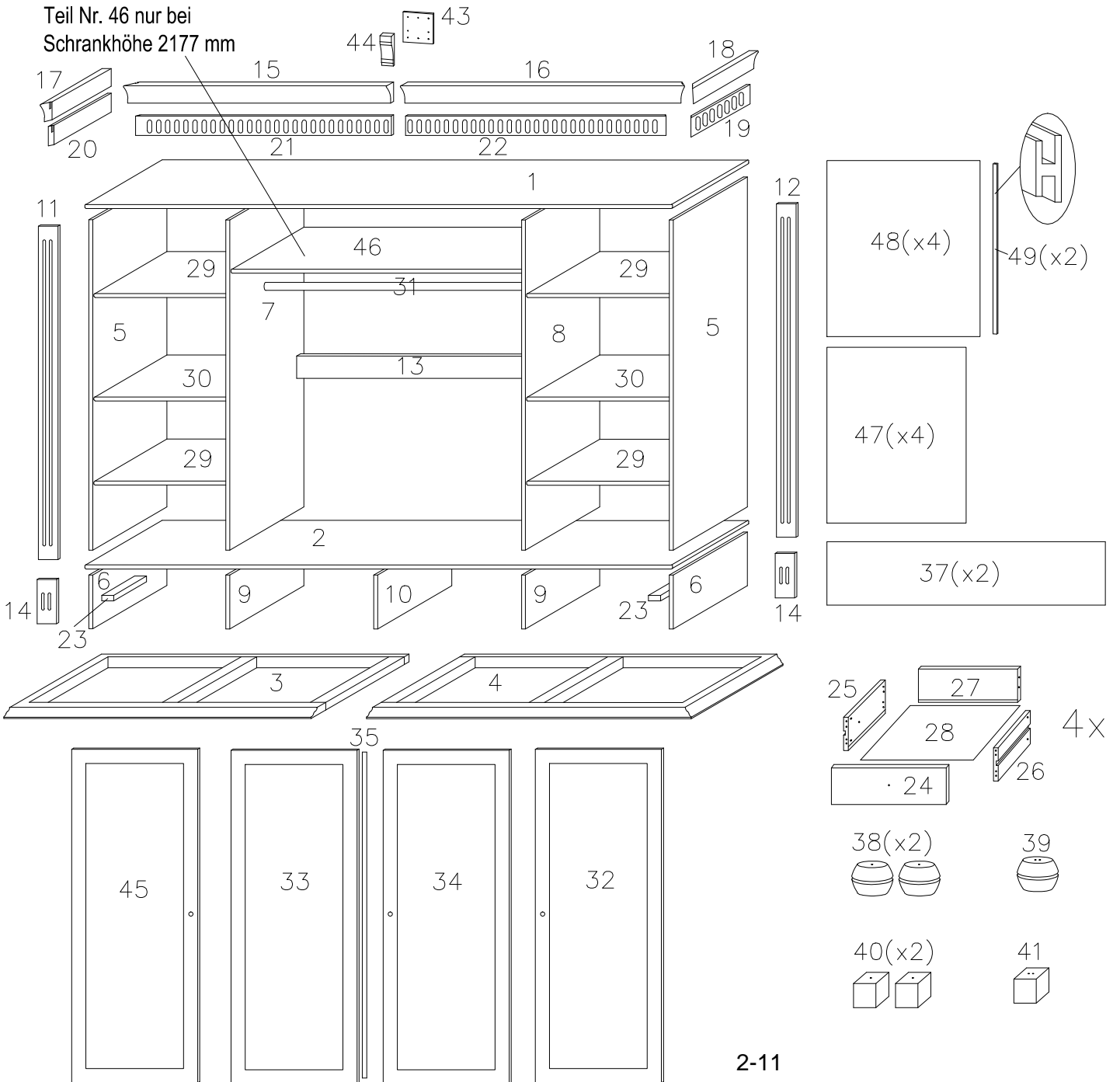


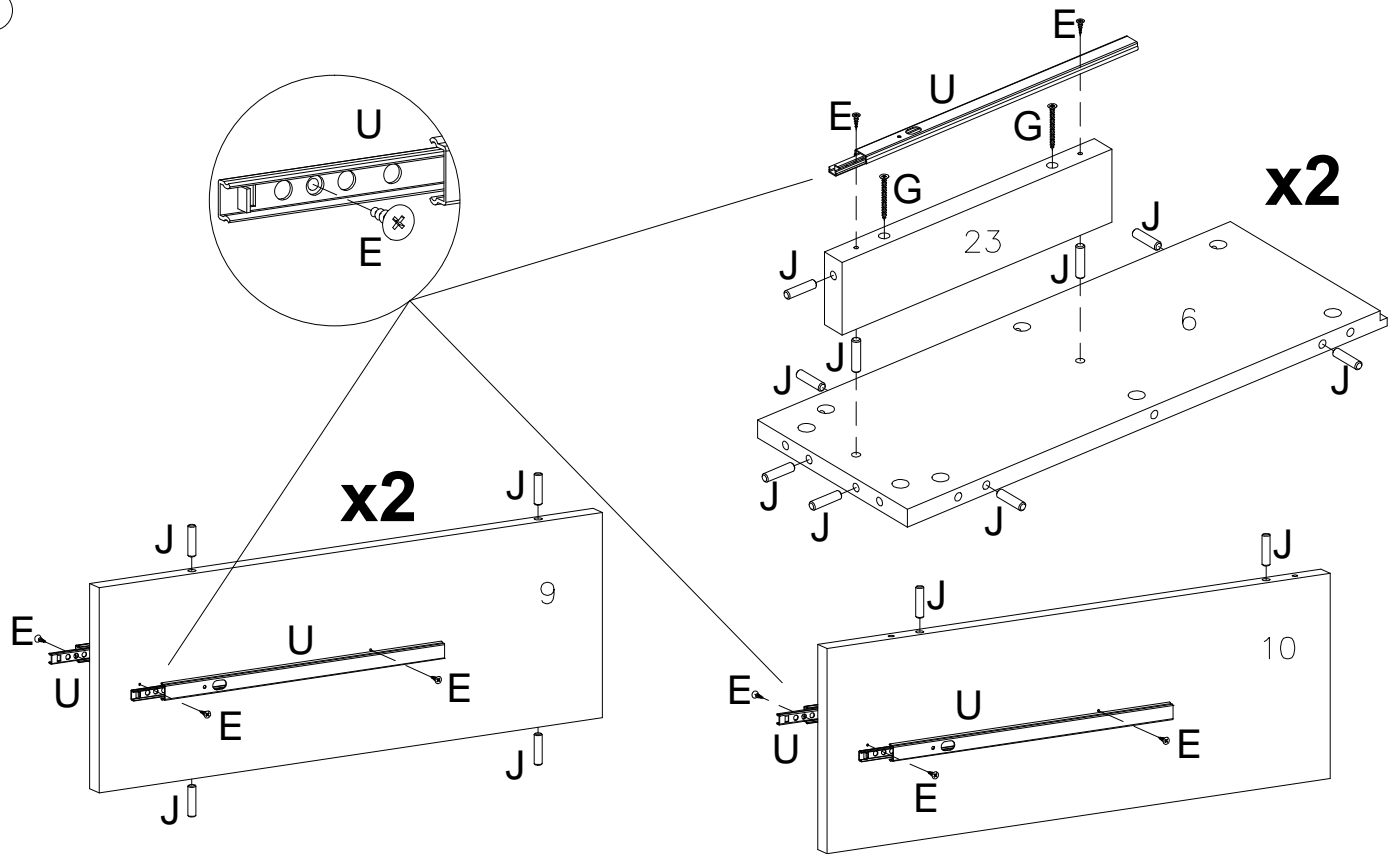
140 min

| | | | | | |
|---|---|--|---|---|---|
| Ax66  | Bx66  | Cx8  | Dx4  | D1x2  | Ex62  3.5x15 |
| Fx13  3.5x25 | Gx20  3.5x35 | Hx8  M4x10 | Ix150  1.2x20 | Jx114  Ø8x32 | J1x3  Ø10x50 |
| Kx2  | Lx4  | L1x4  M4x27 | Mx4  | M1x4  | Nx6  |
| N1x6  | Ox4  | Px2  | P1x2  | Qx20  | R3x3  |
| R2x3  | Sx10  | Tx3  | T1x6  2x13 | Ux8  | |
| Vx3  | V1x3  | W2x6  | W3x6  Ø6 | Xx10  4x50 | Yx1  |

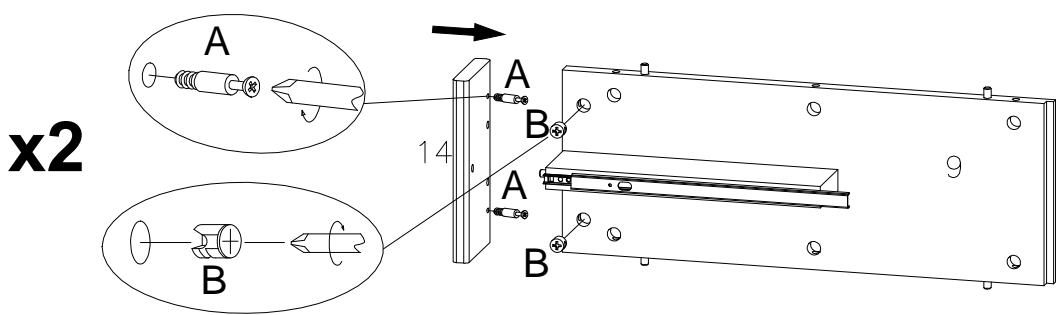
Teil Nr. 46 nur bei
Schrankhöhe 2177 mm



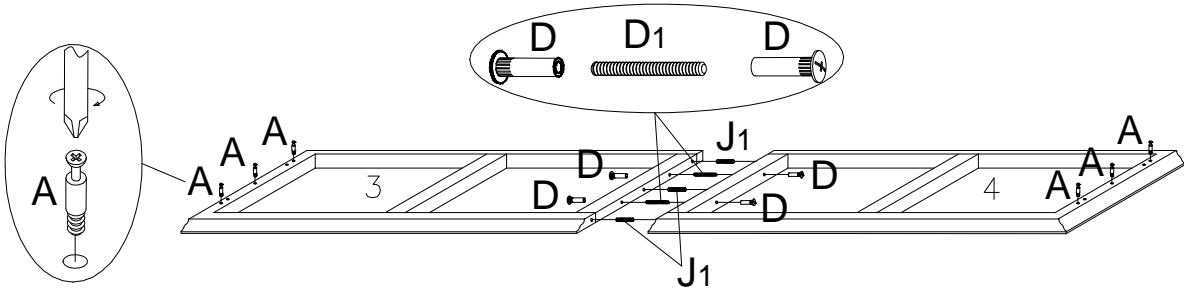
1



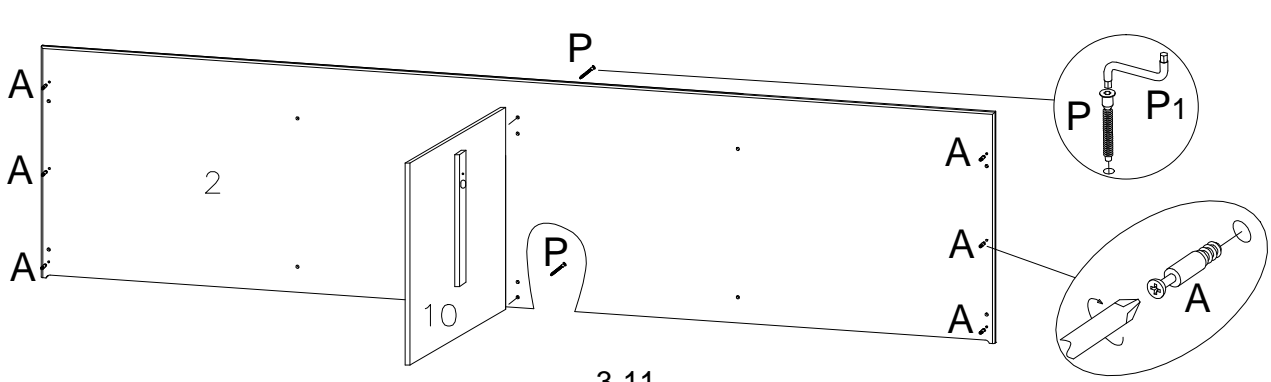
2



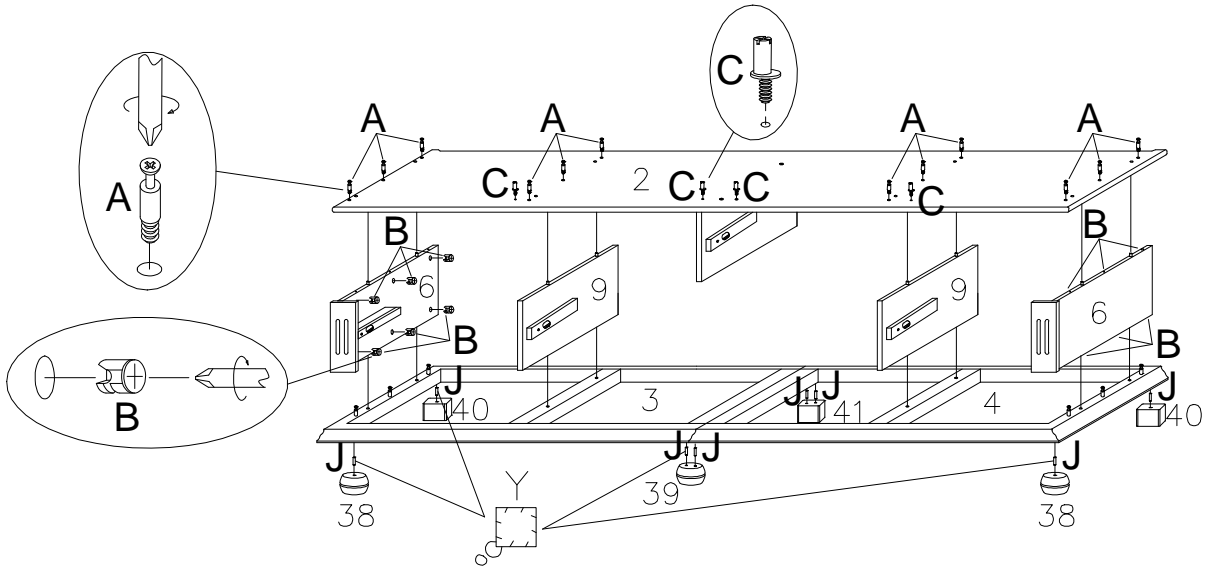
3



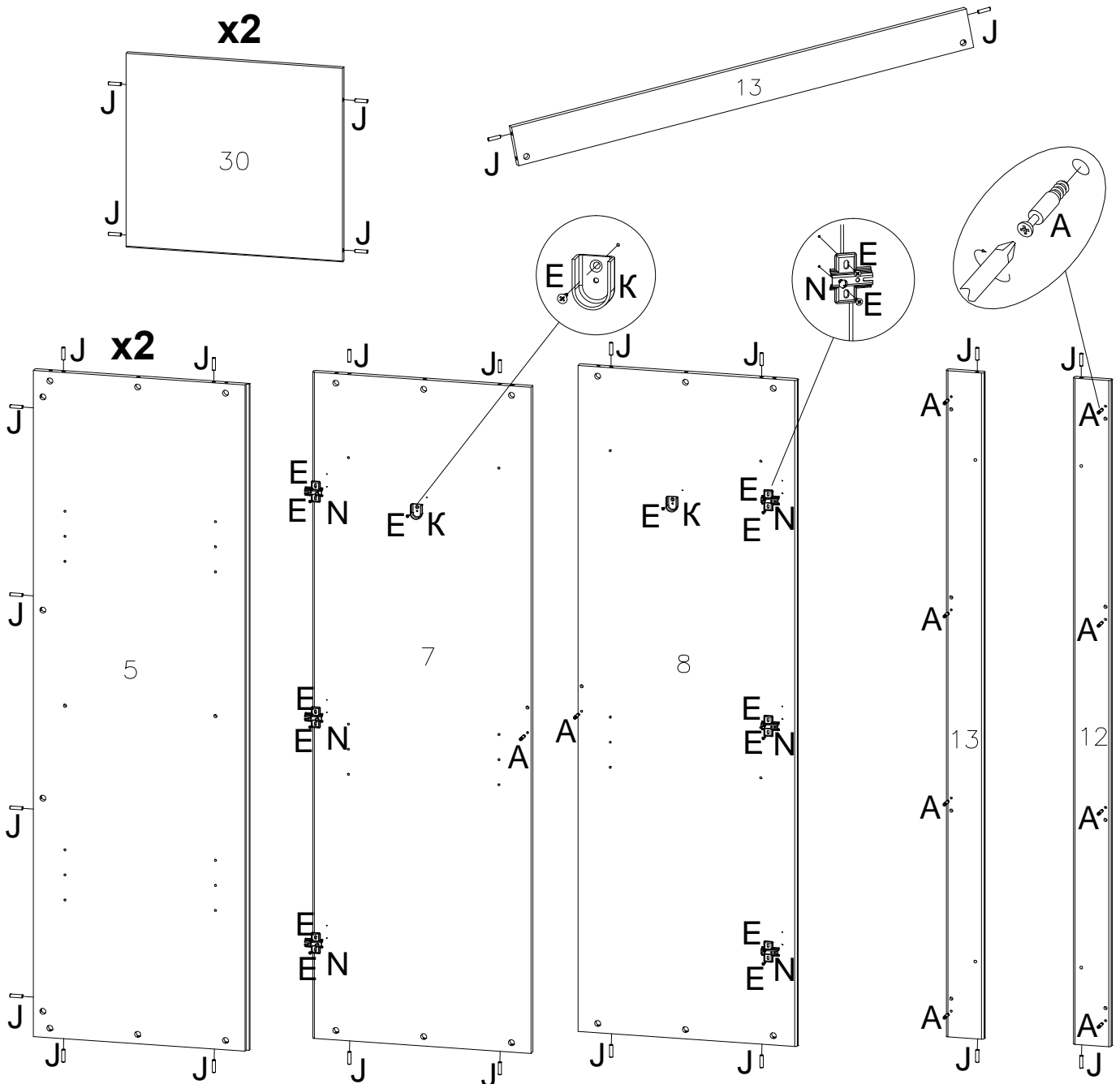
4



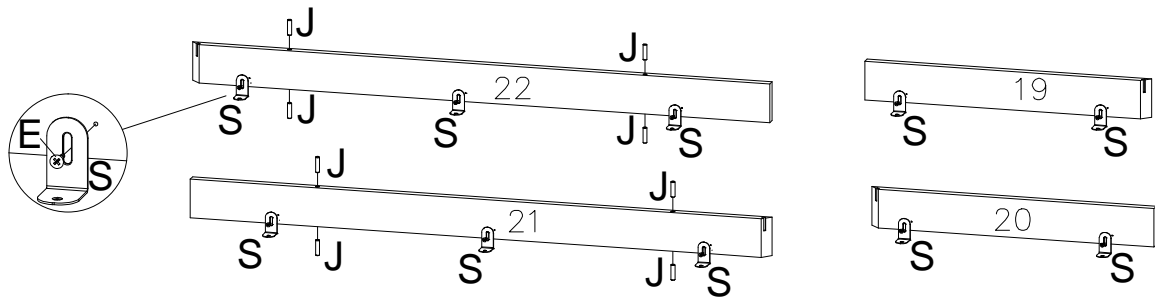
5



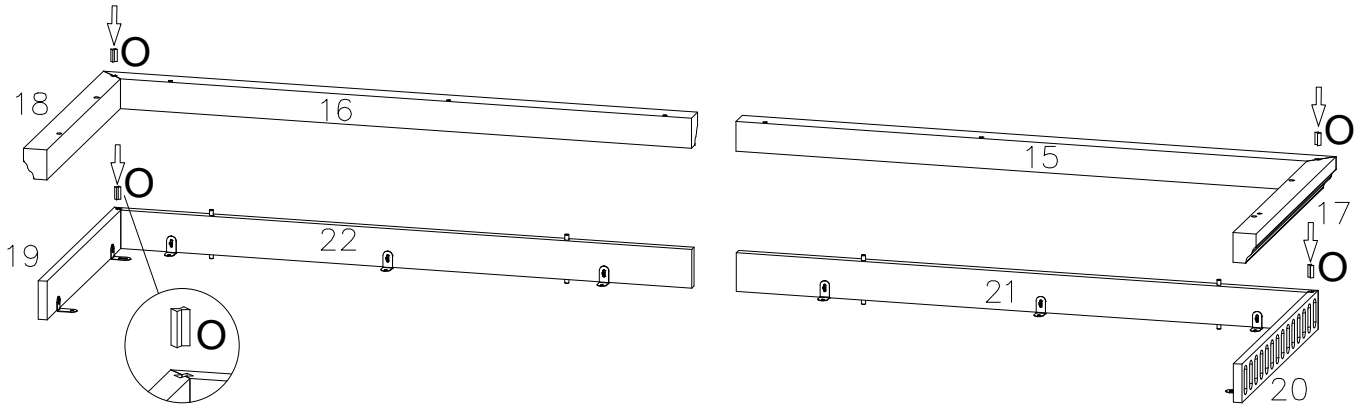
6



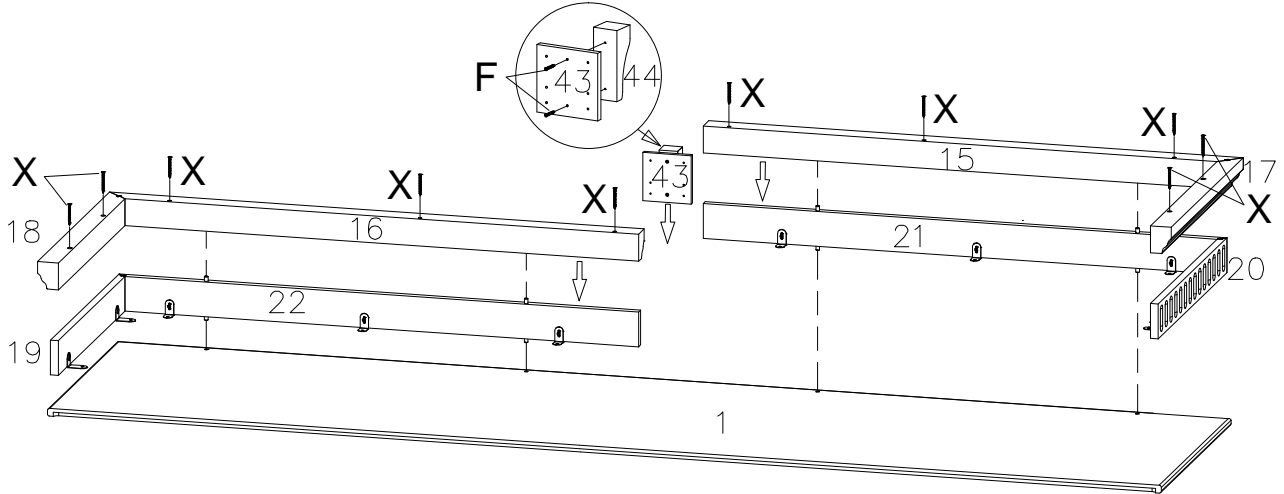
7



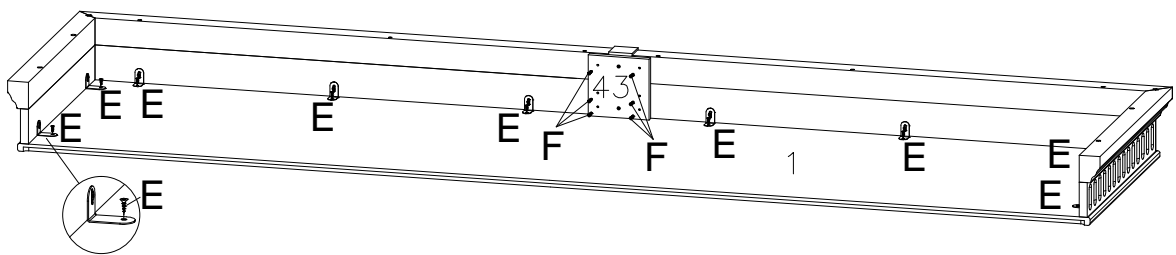
8



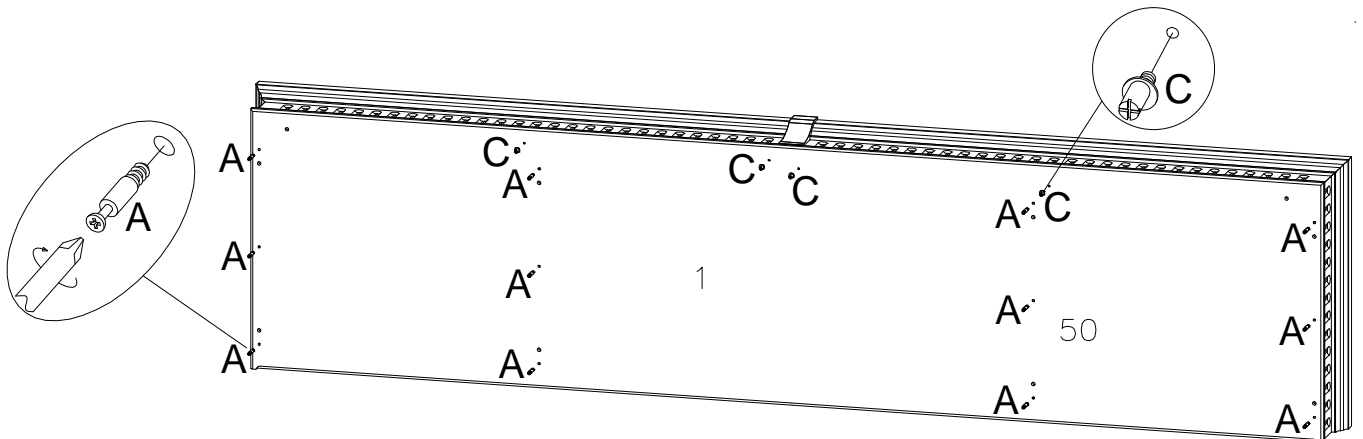
9



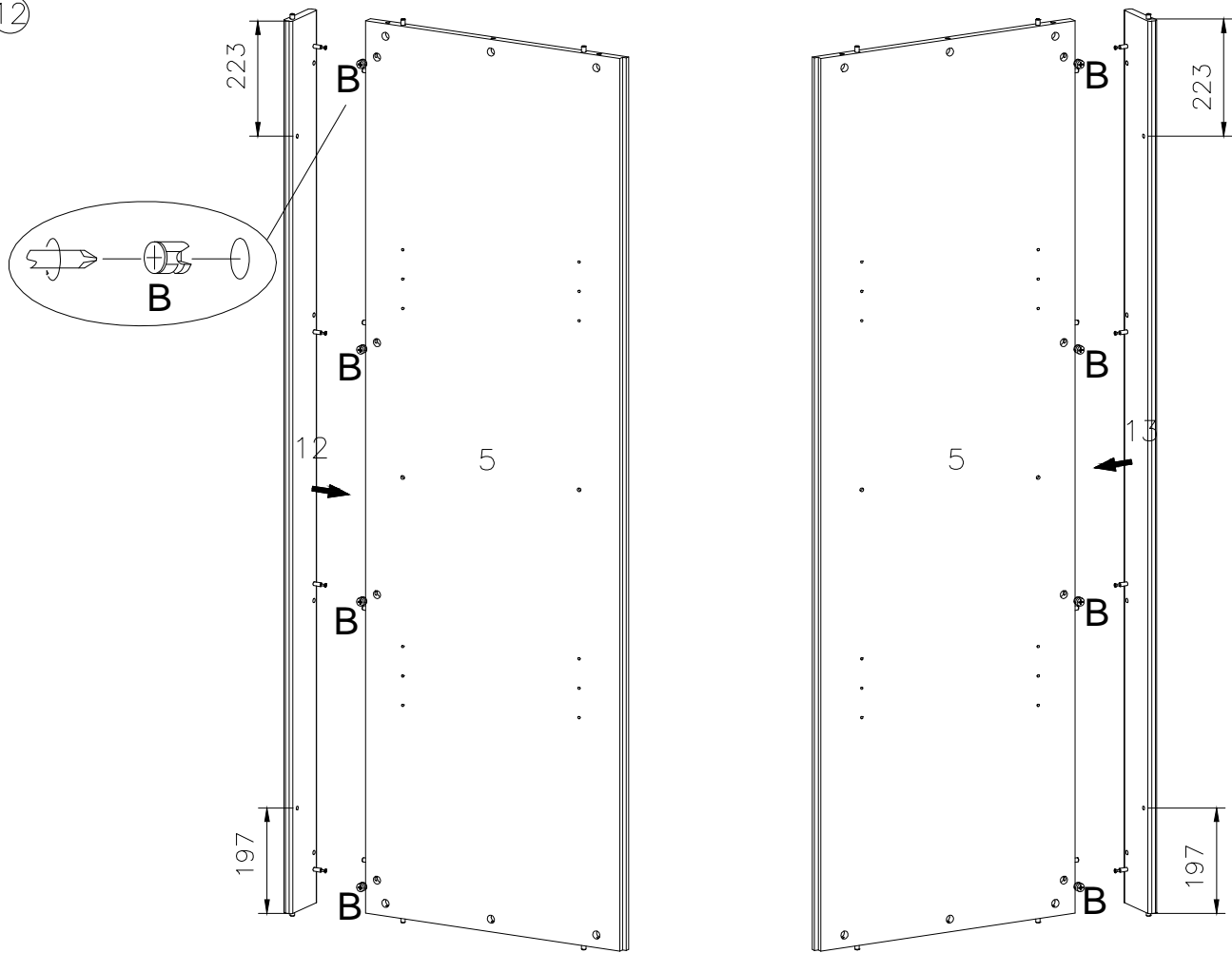
10



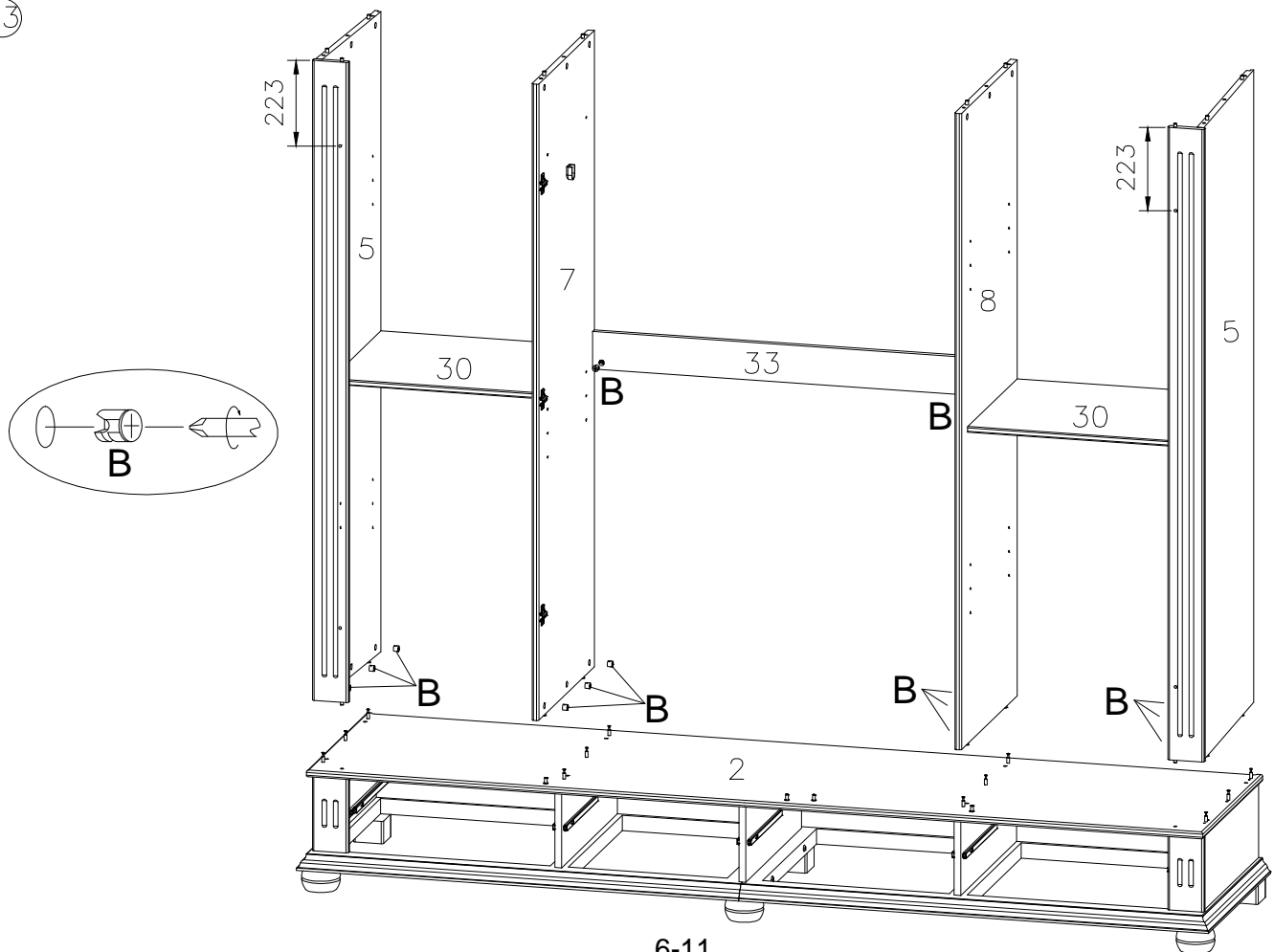
11



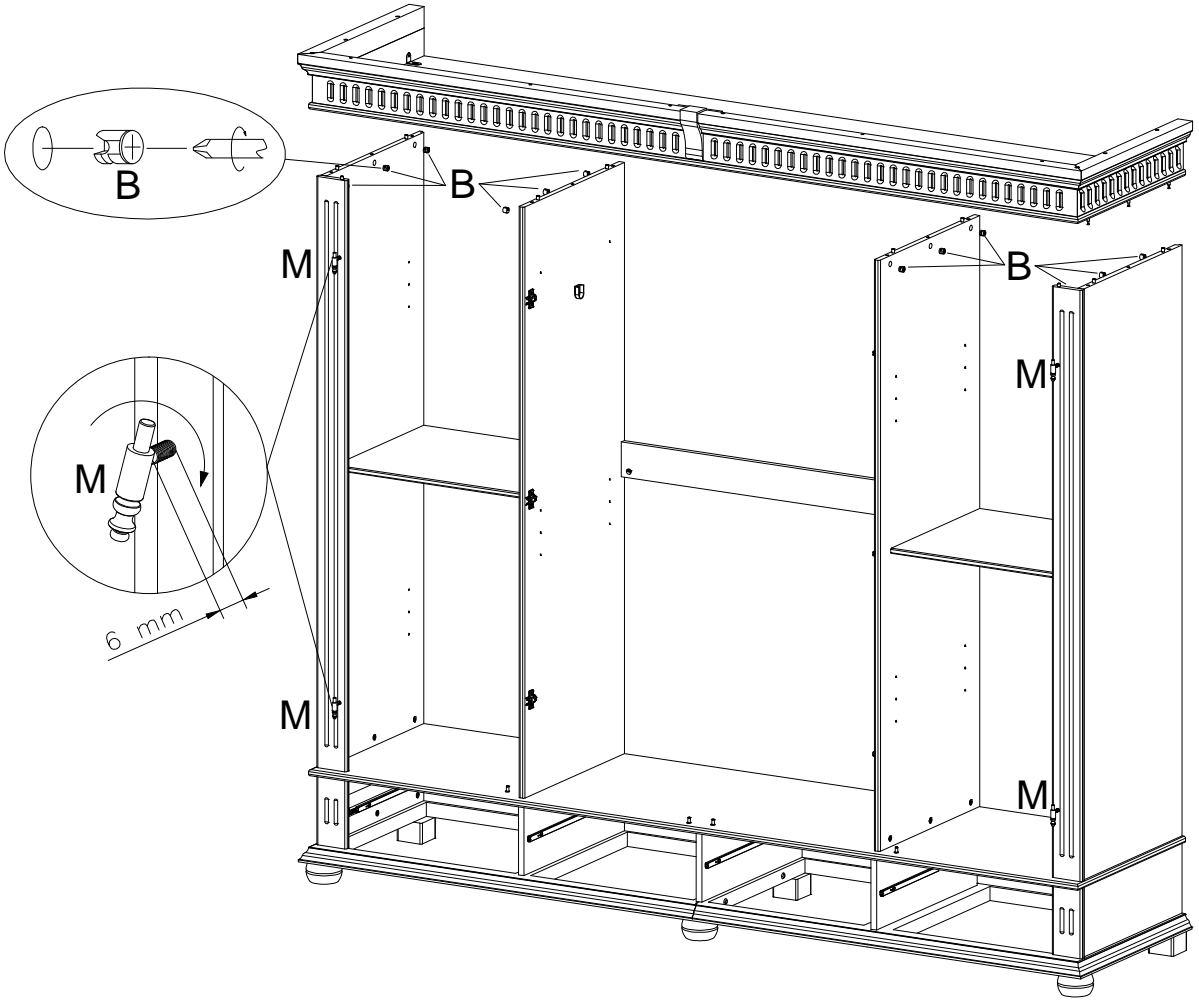
12



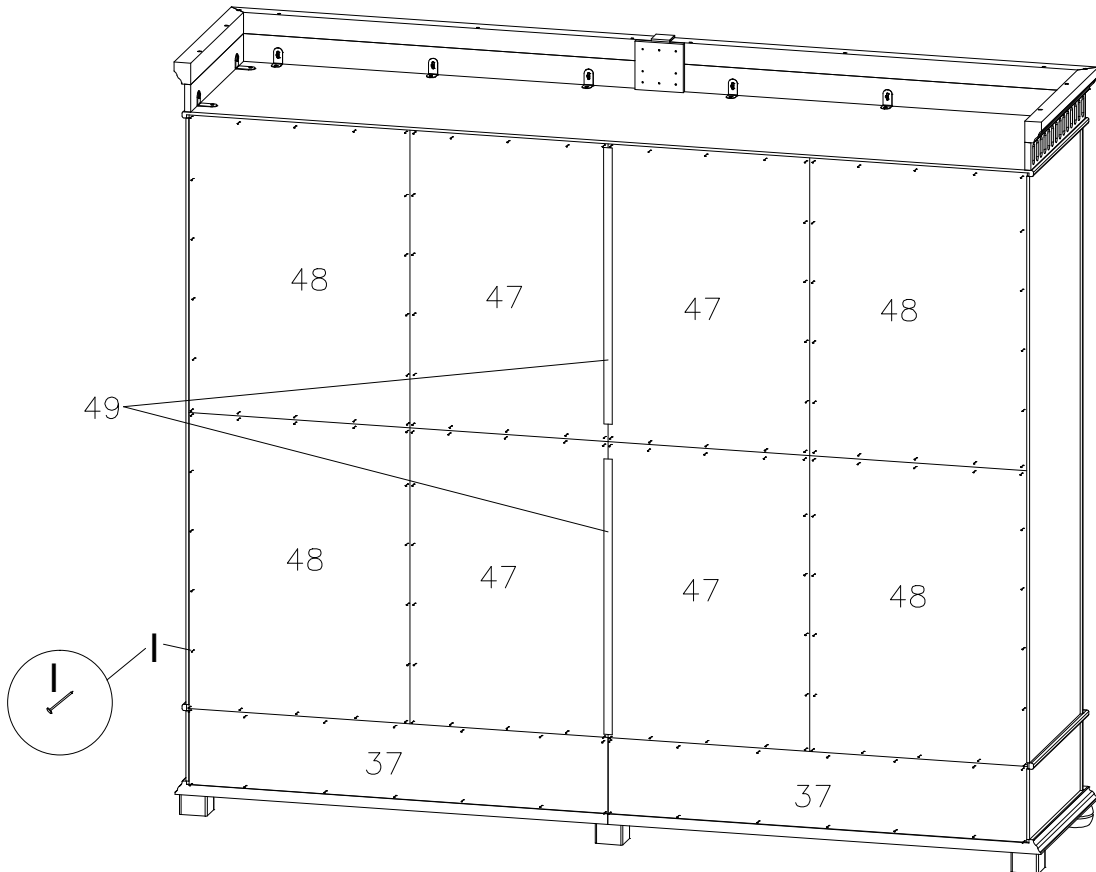
13



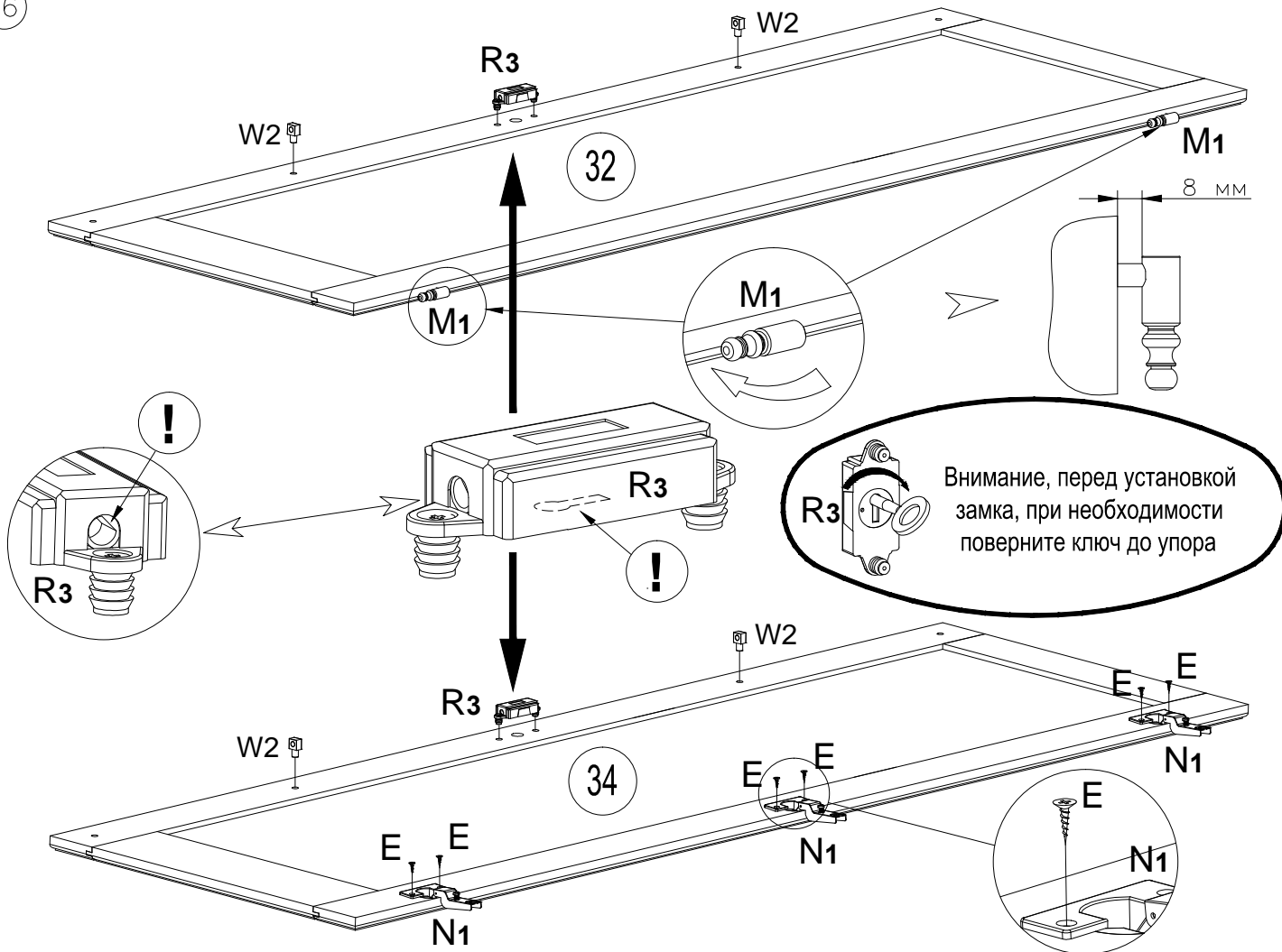
14



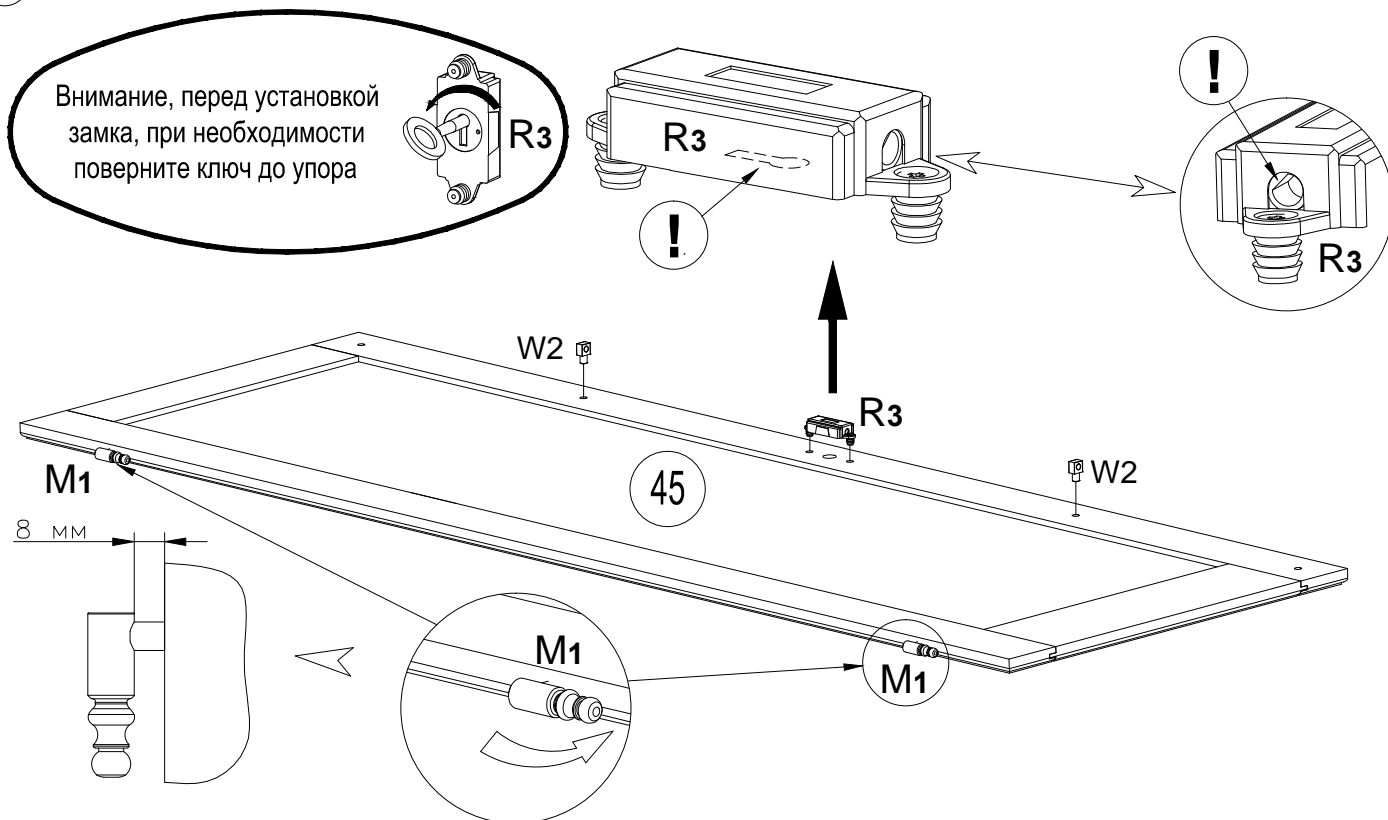
15



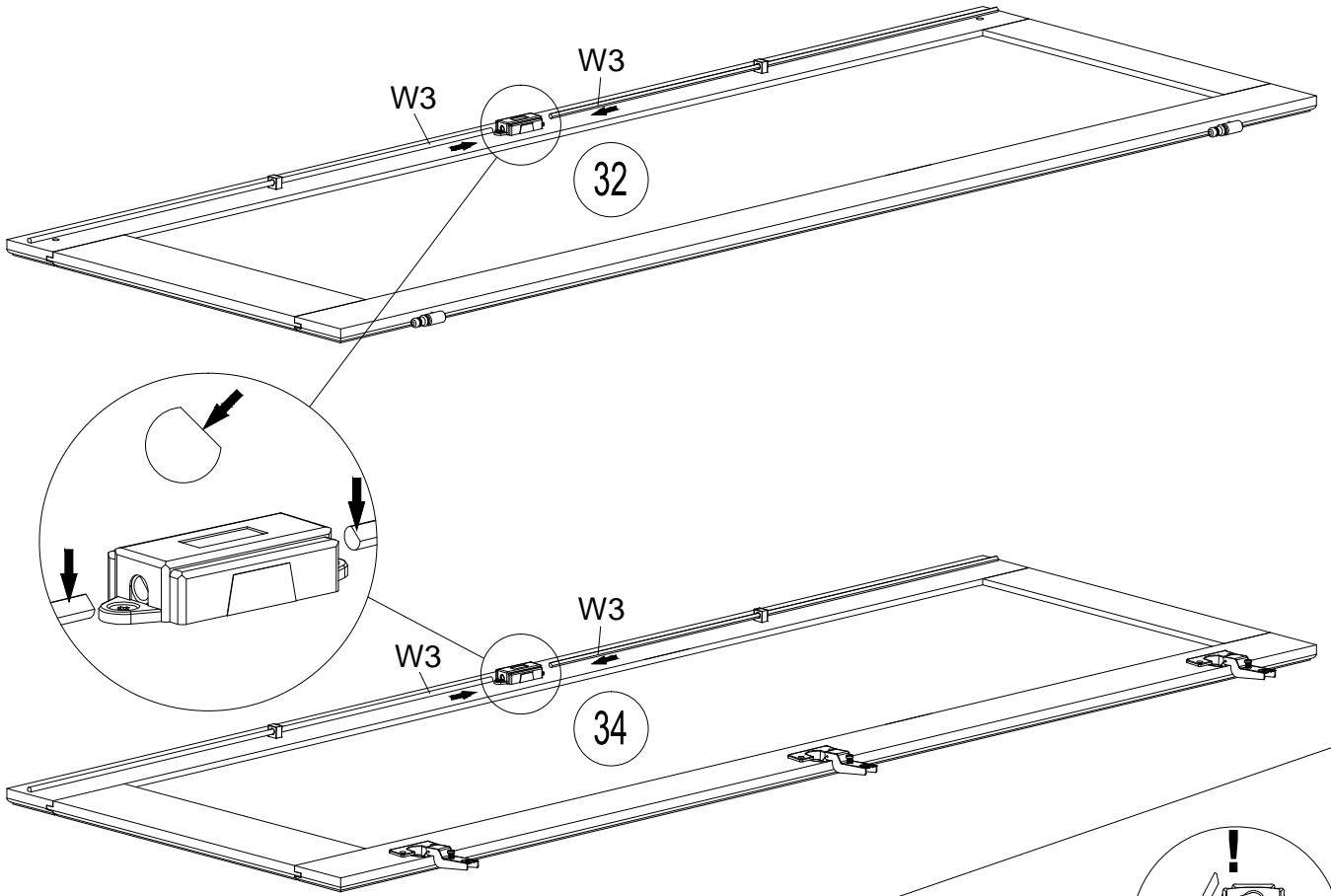
16



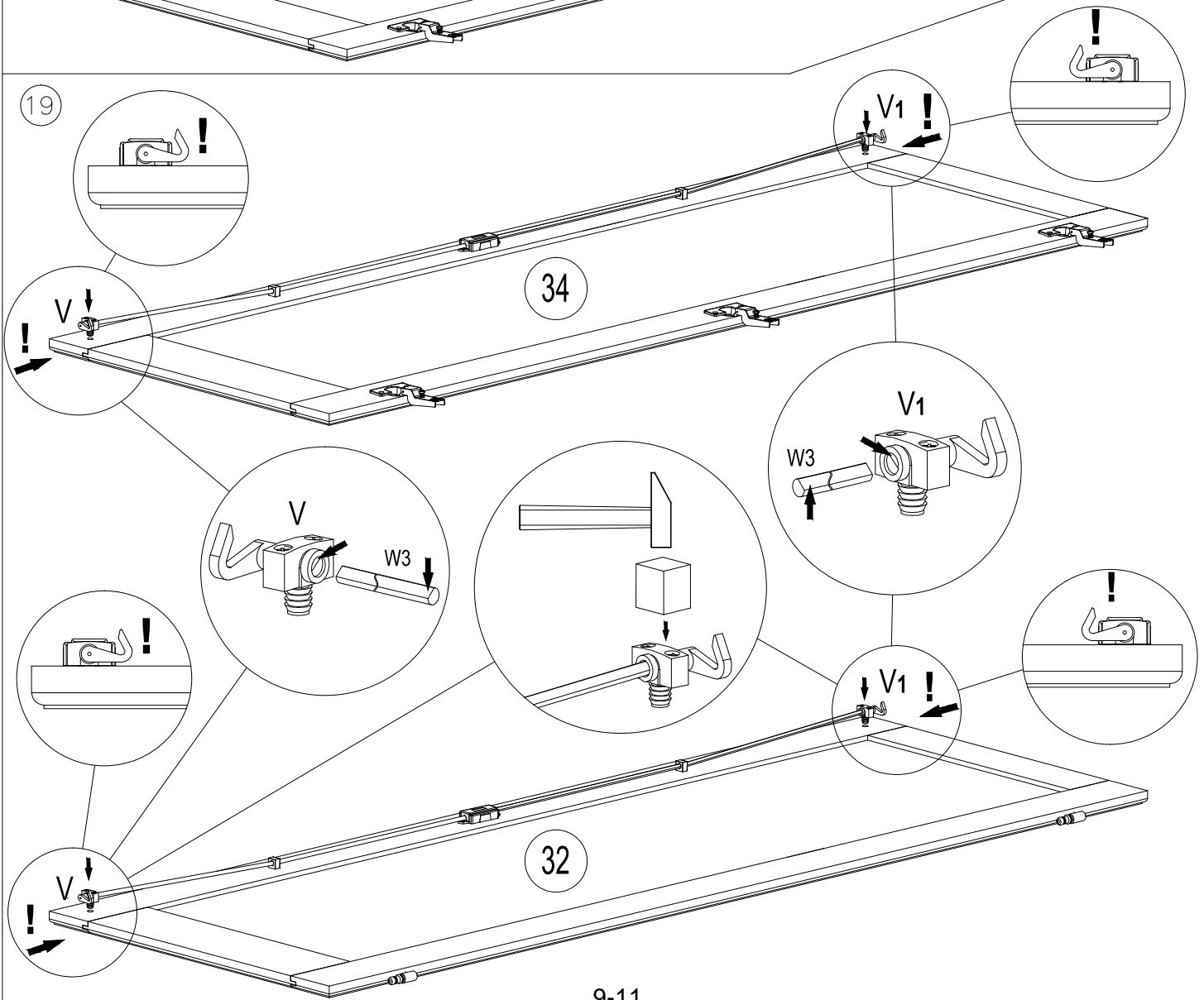
17



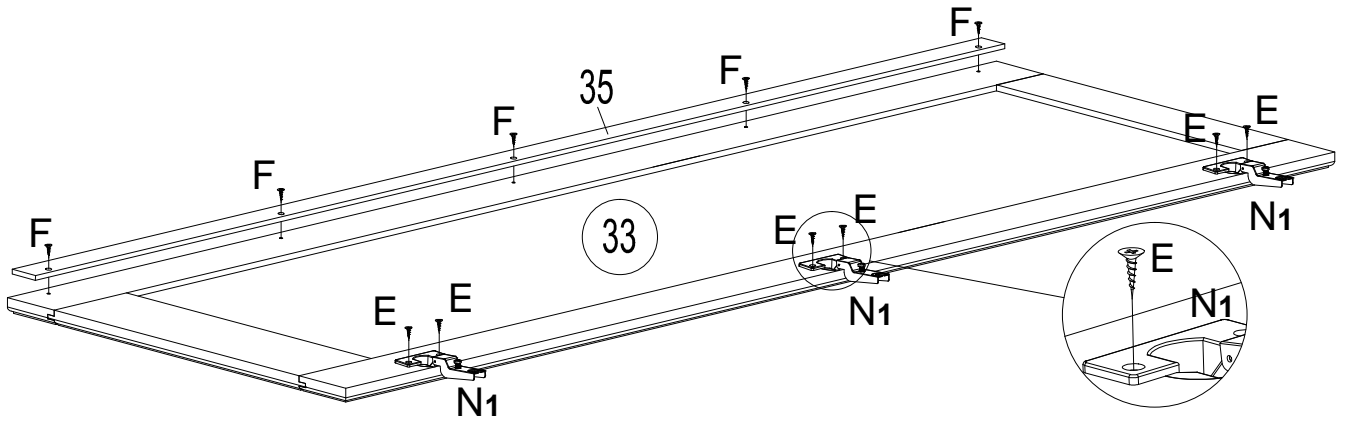
18



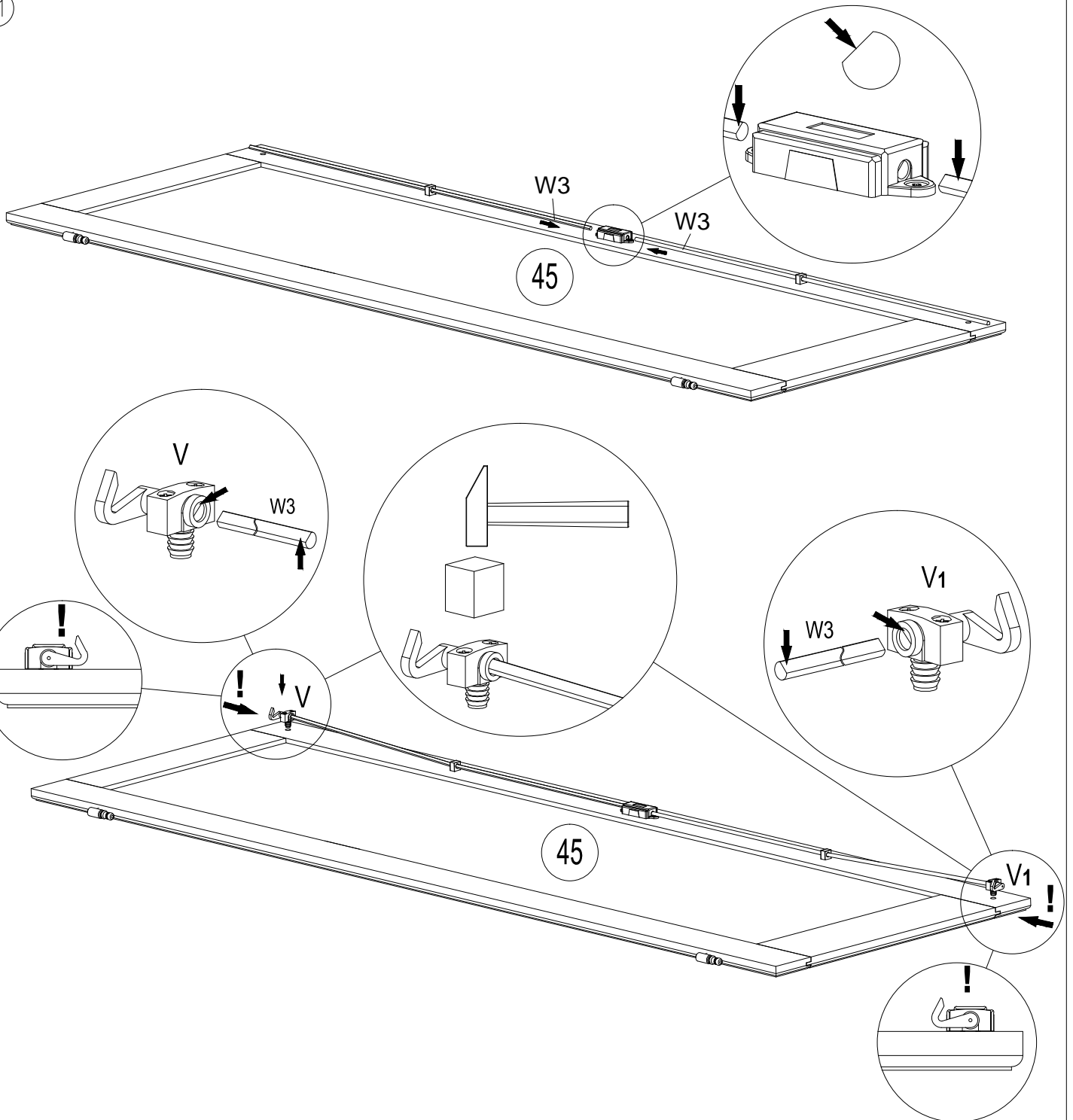
19



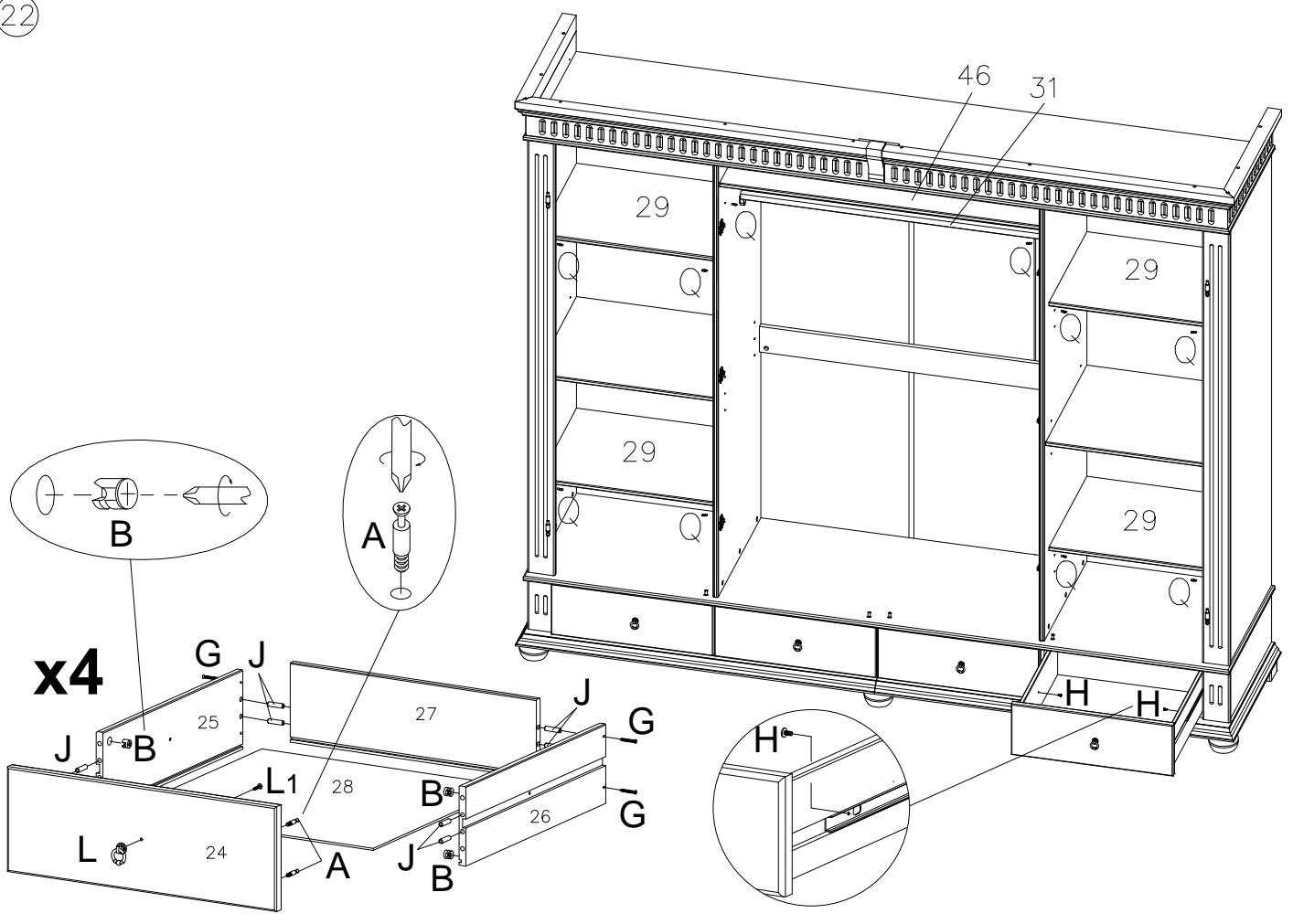
20



21



22



23

