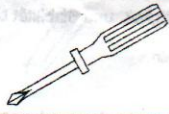


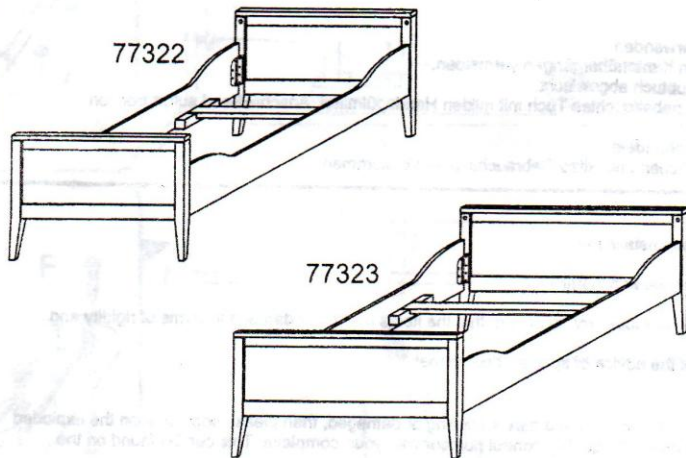


Gebrauchs- u. Montageanleitung - Servicekarte
Assembly instructions - service card

Ident.-Nr



080207-1



A = 2 x



B = 2 x



C = 2 x



D = 2 x



E = 16 x



4,0x25

F = 16 x



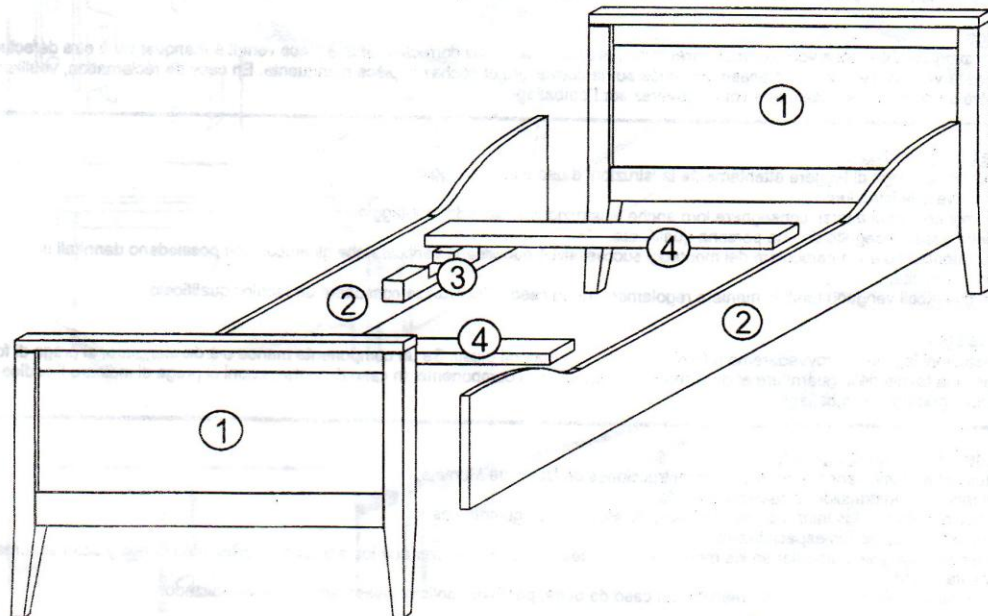
4,0x20

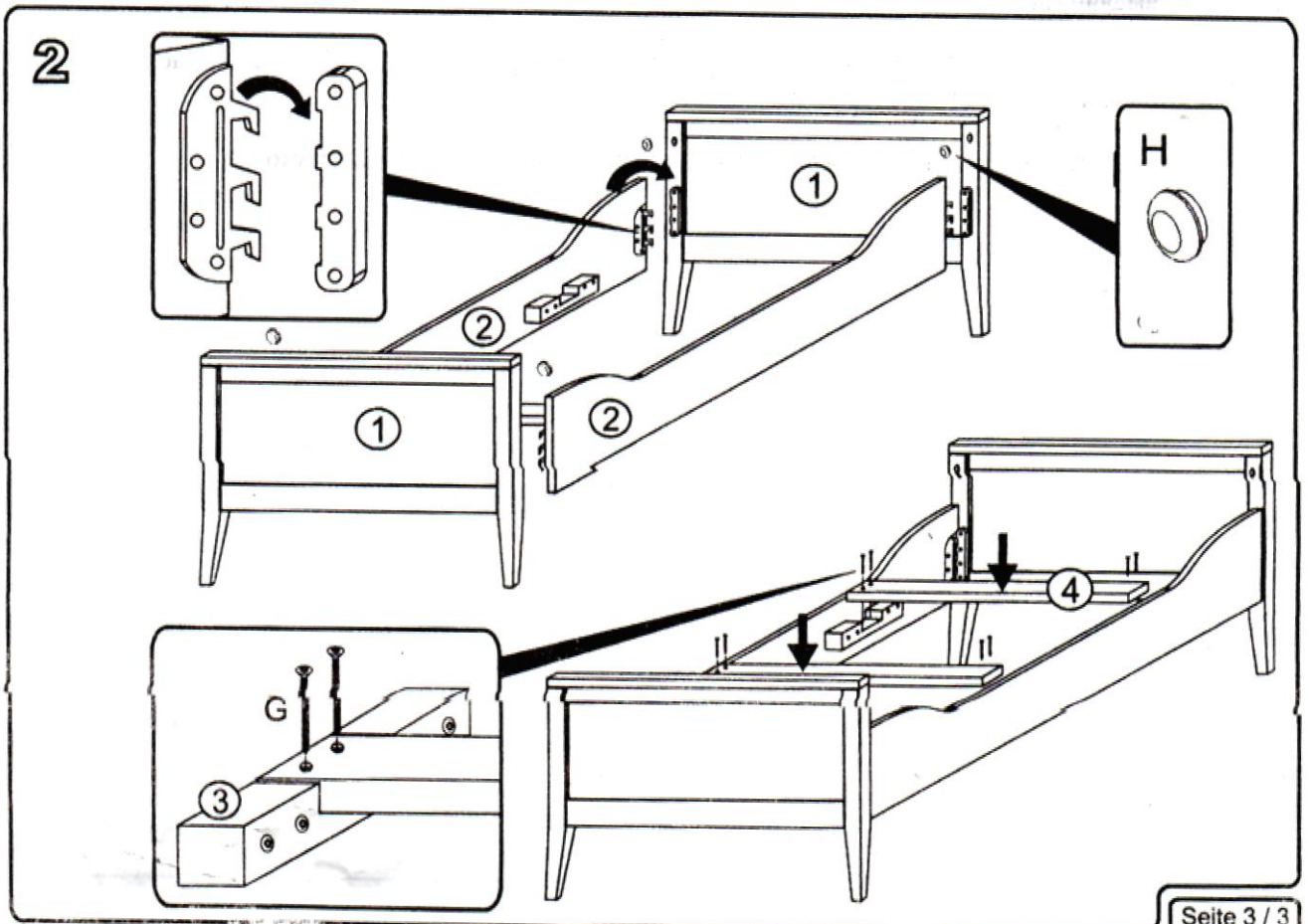
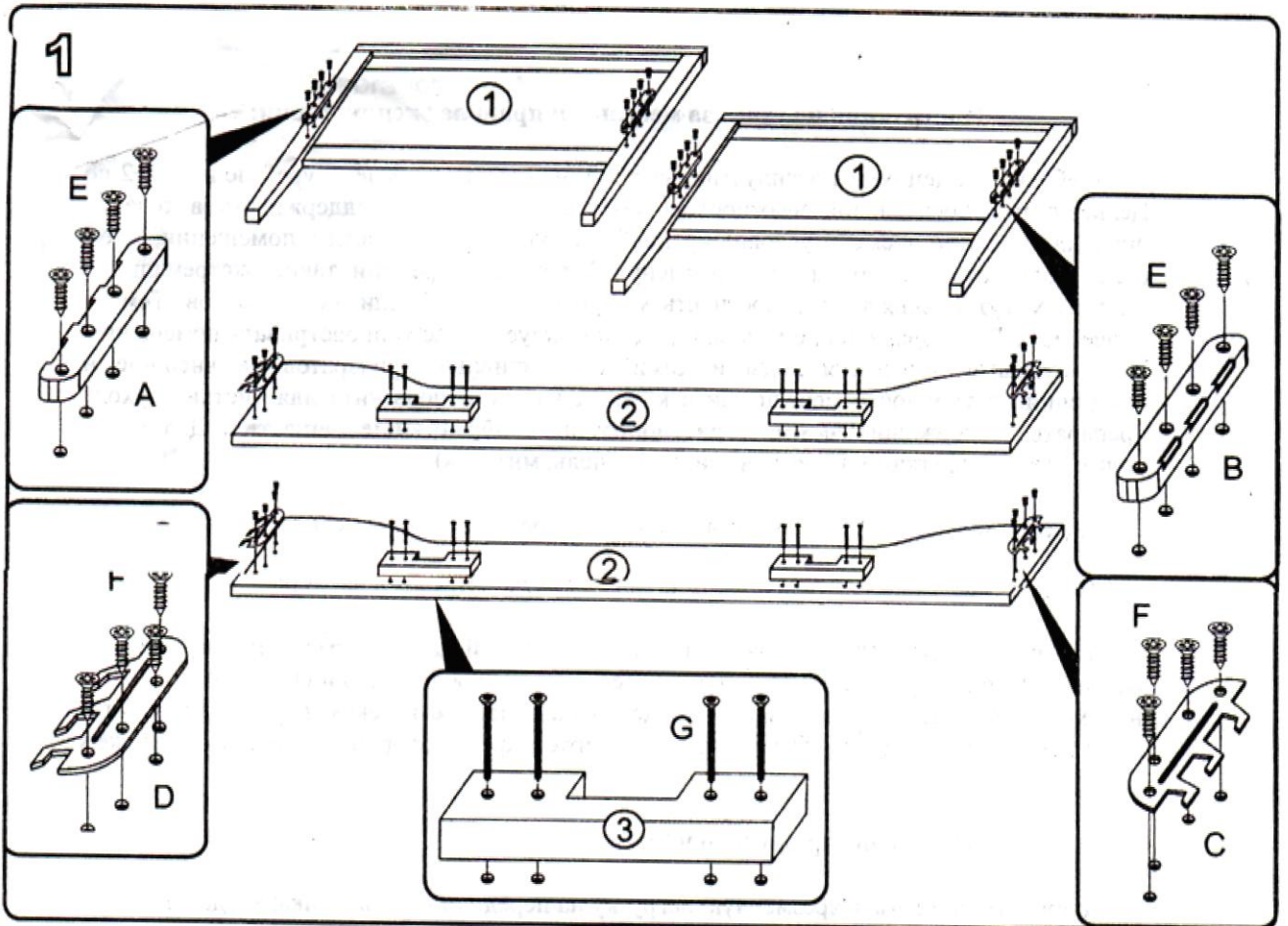
G = 24 x



3,5x35

H = 4 x







Gebrauchs- u. Montageanleitung - Servicekarte
Assembly instructions - service card

Ident.-Nr



SW4

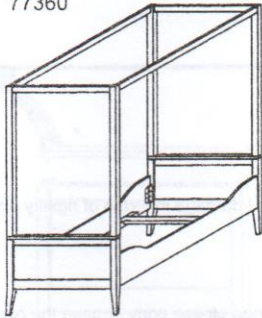


SW5

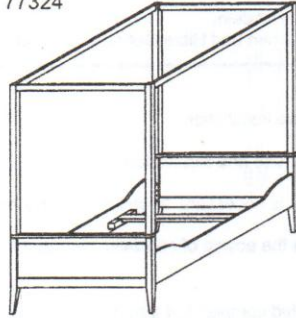


100207-1

77360



77324



A = 8 x



B = 8 x



C = 8 x



D = 4 x



E = 8 x



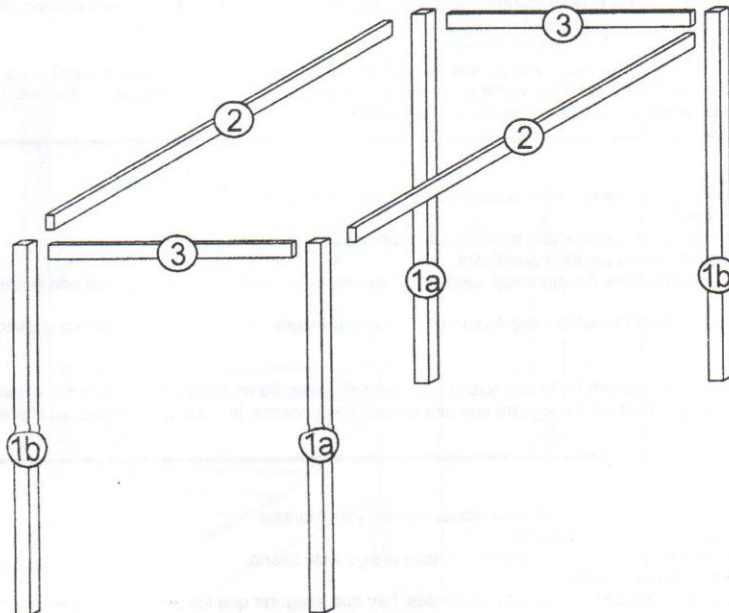
F = 4 x



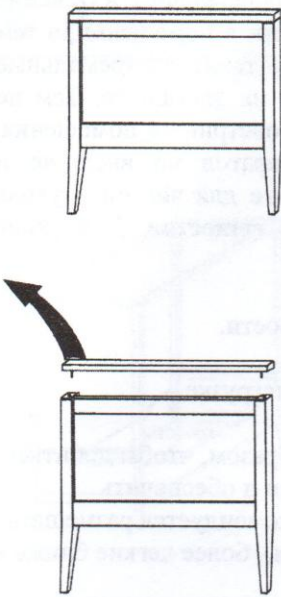
G = 8 x



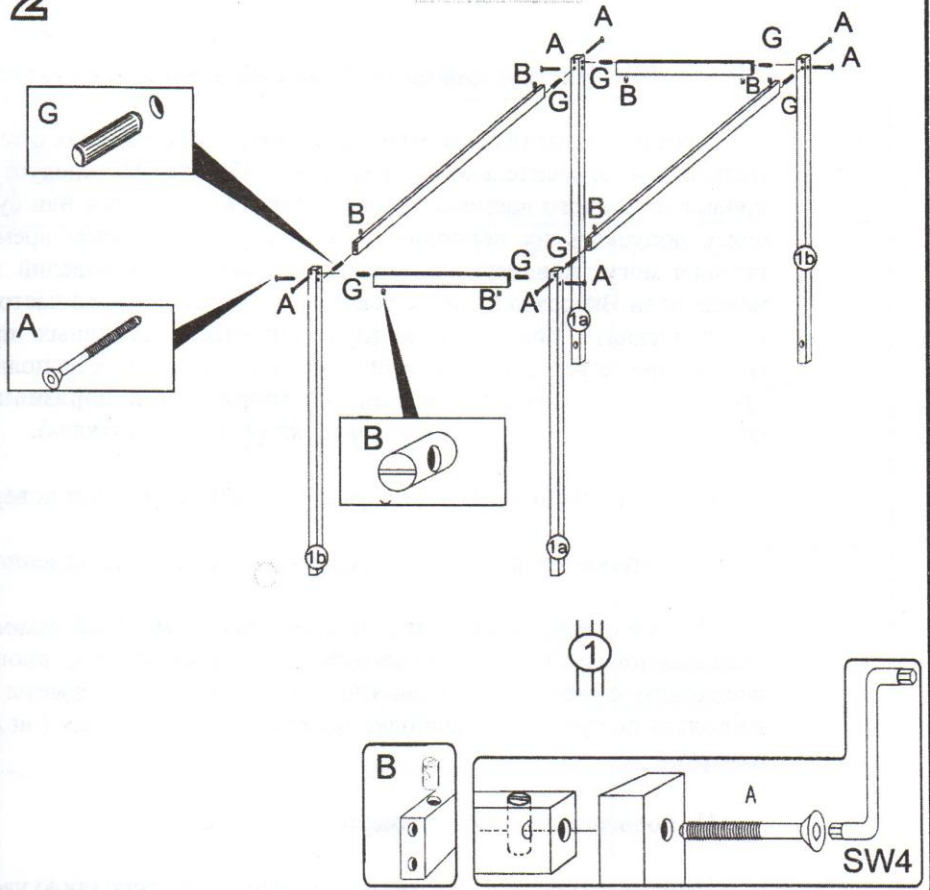
8x32



1



2



3

