



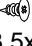

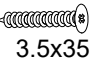

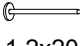
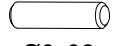








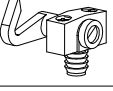
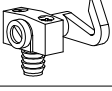

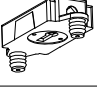
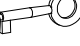
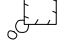




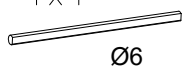
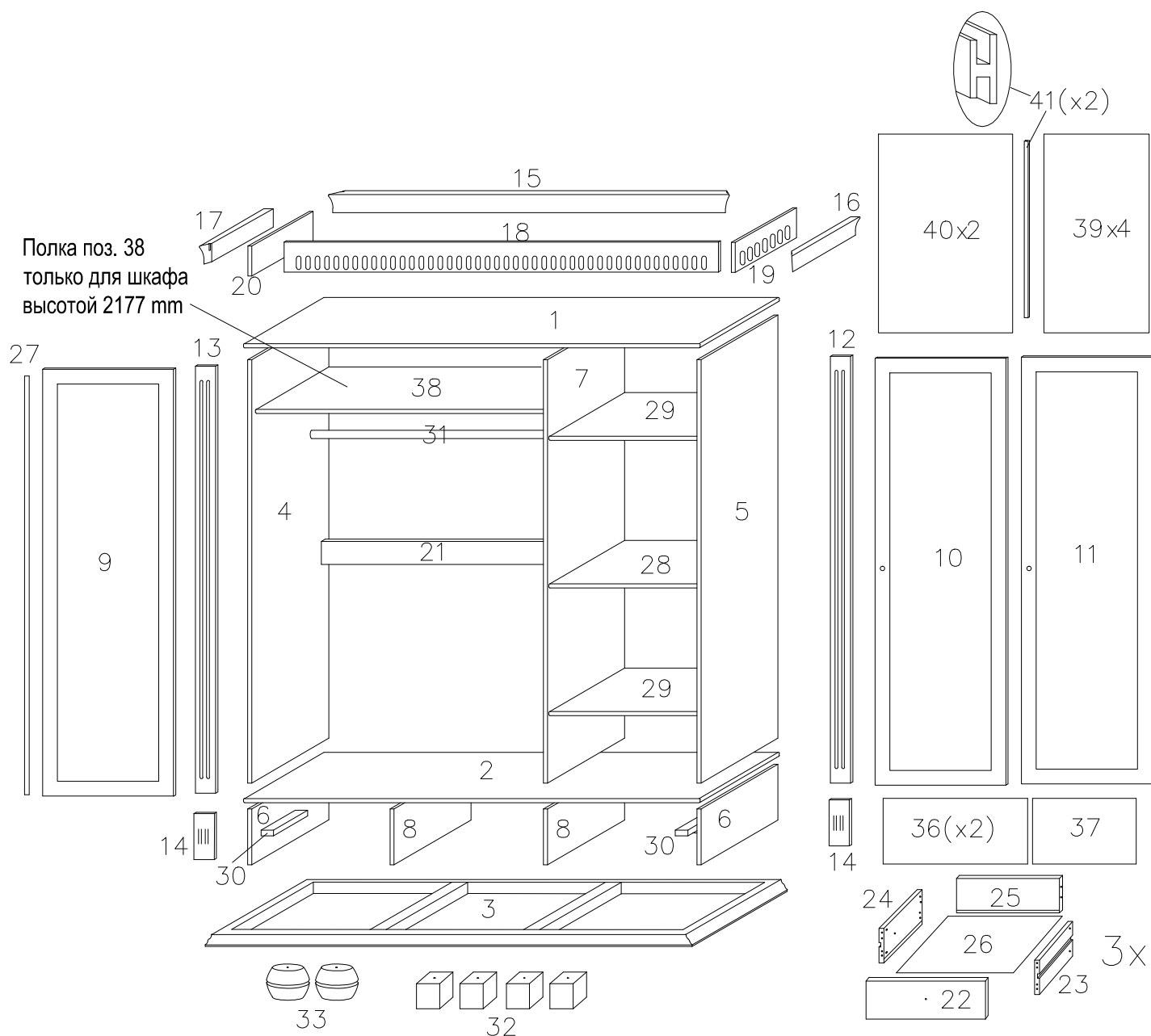
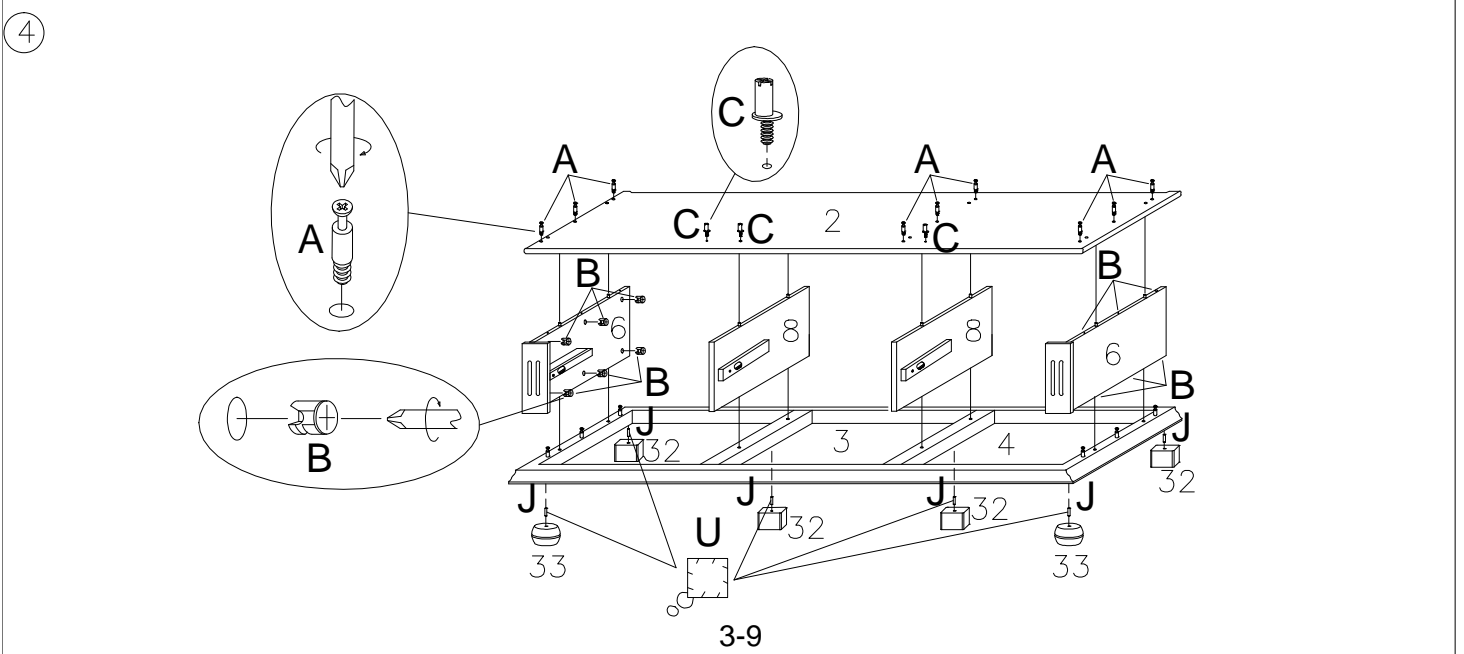
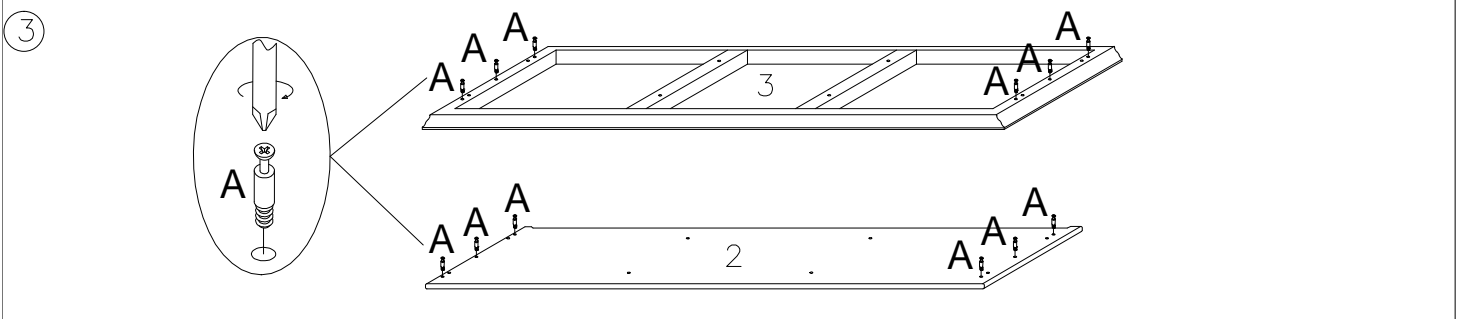
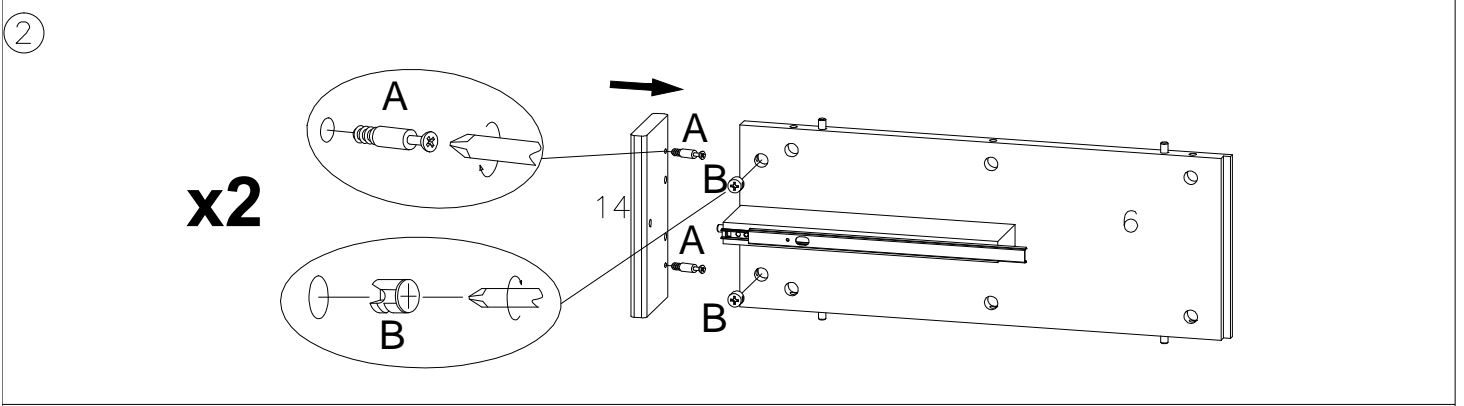
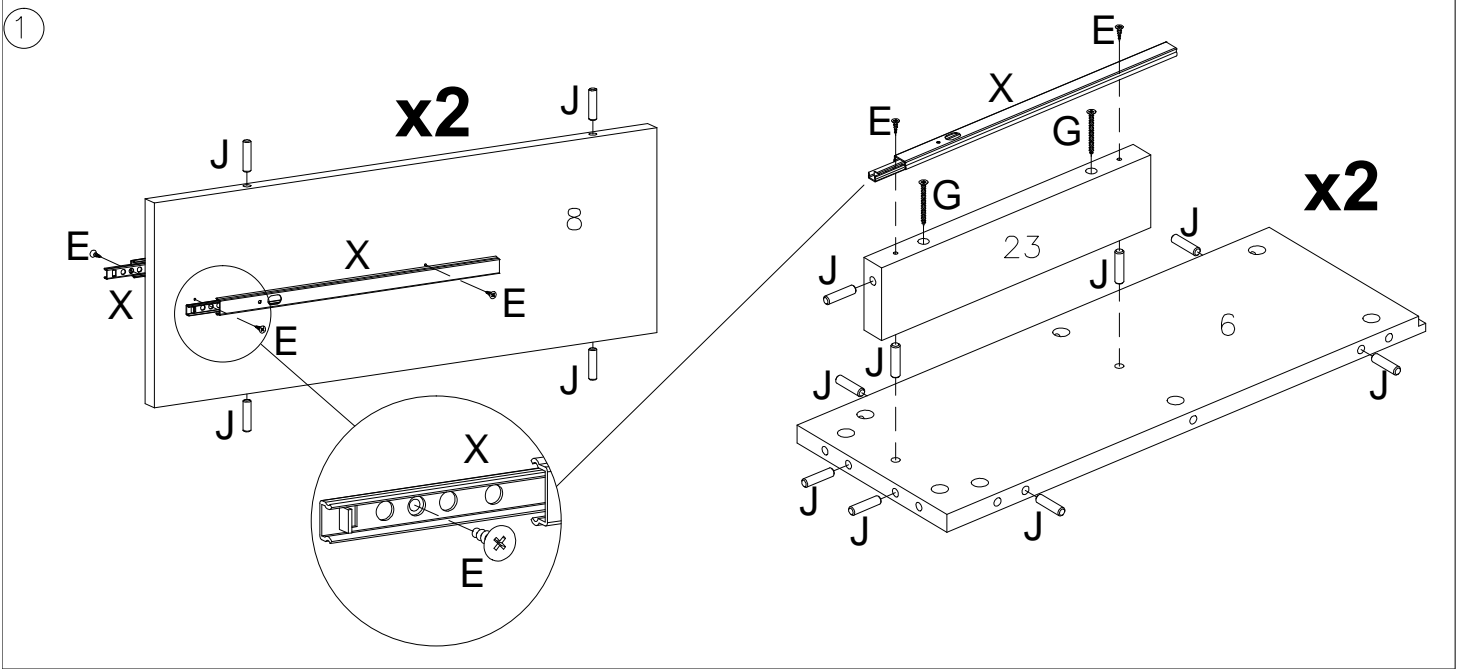
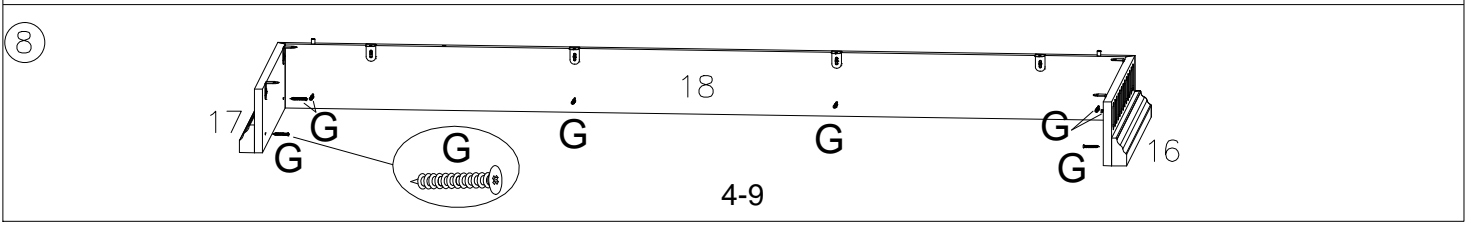
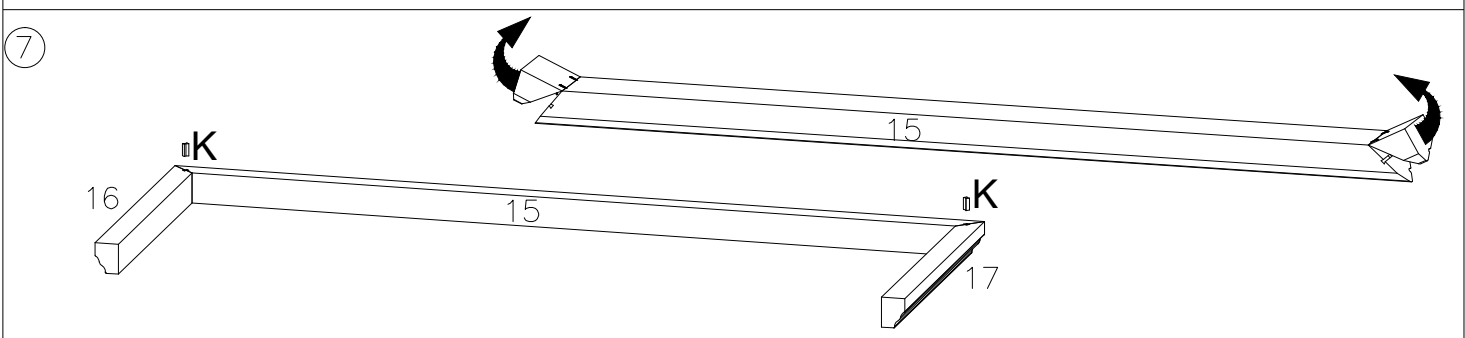
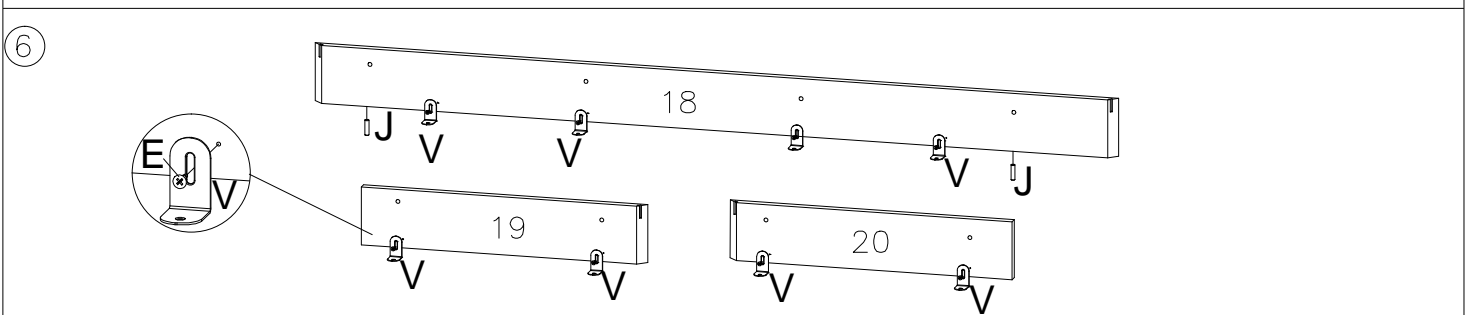
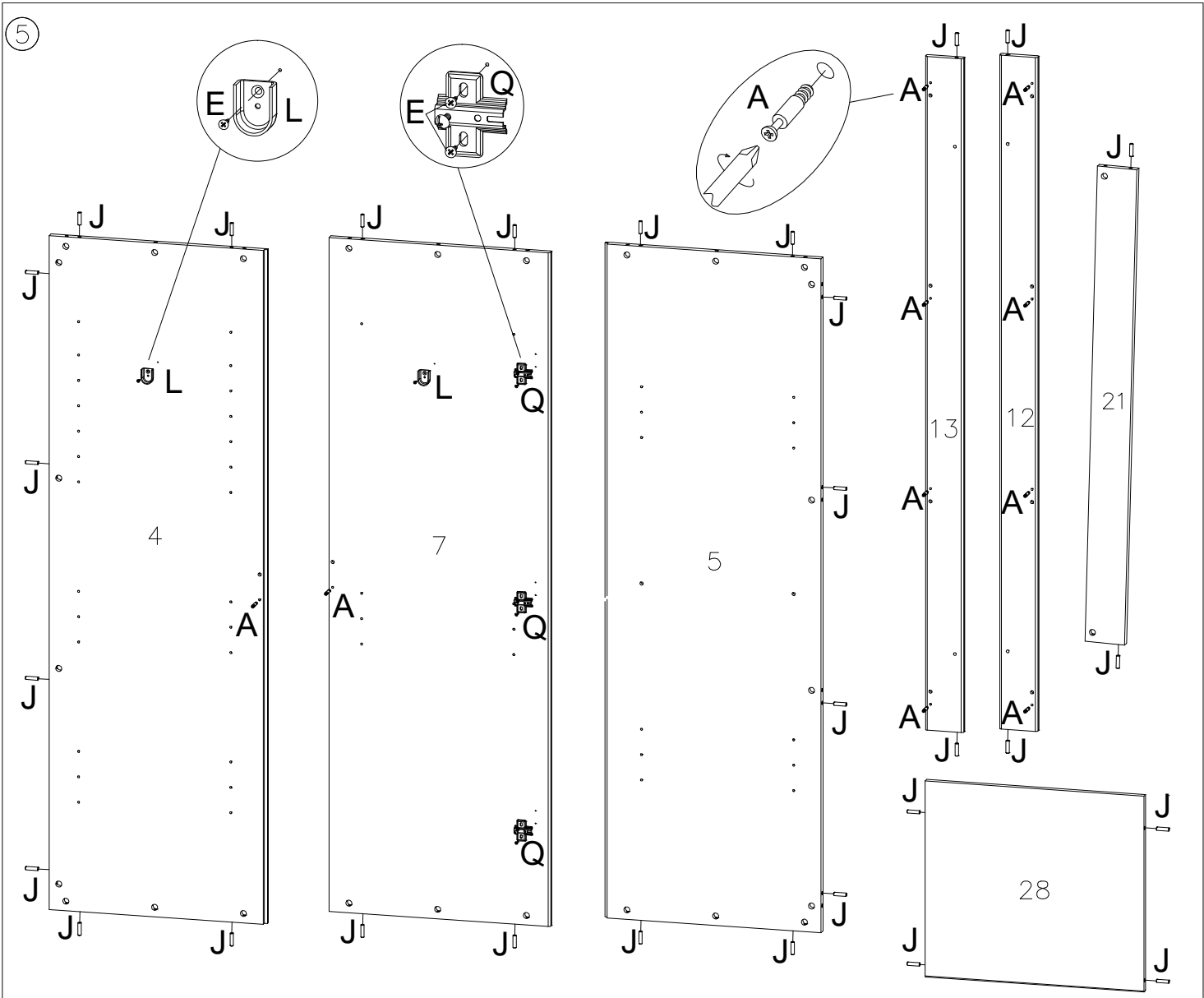


100 min

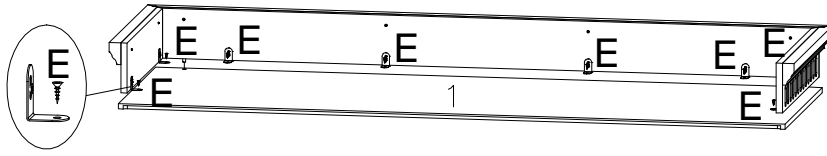
Ax56 	Bx56 	Cx6 	Dx4 	Ex42  3.5x15	Fx5  3.5x25
Gx24  3.5x35	Hx6  M4x10	Ix125  1.2x20	Jx88  Ø8x32	Kx2 	Lx2 
Mx3 	Nx3  M4x27	Px4 	P1x4 	Qx3 	Q1x3 
R2x2 	R3x2 	Sx12 	T2x2 	T1x2 	Ux1 
Vx8 	Wx2 	W1x4  2x13	Xx6 	Yx4  Ø6	



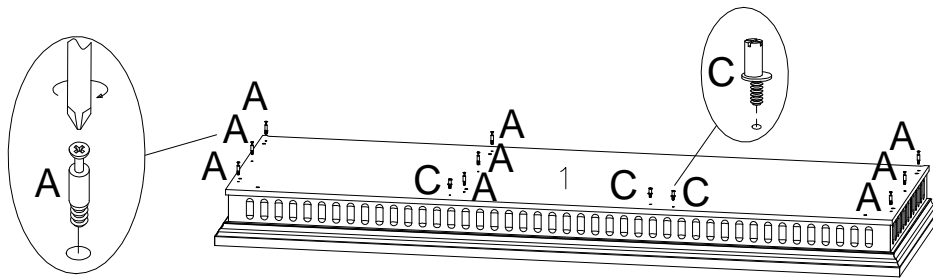




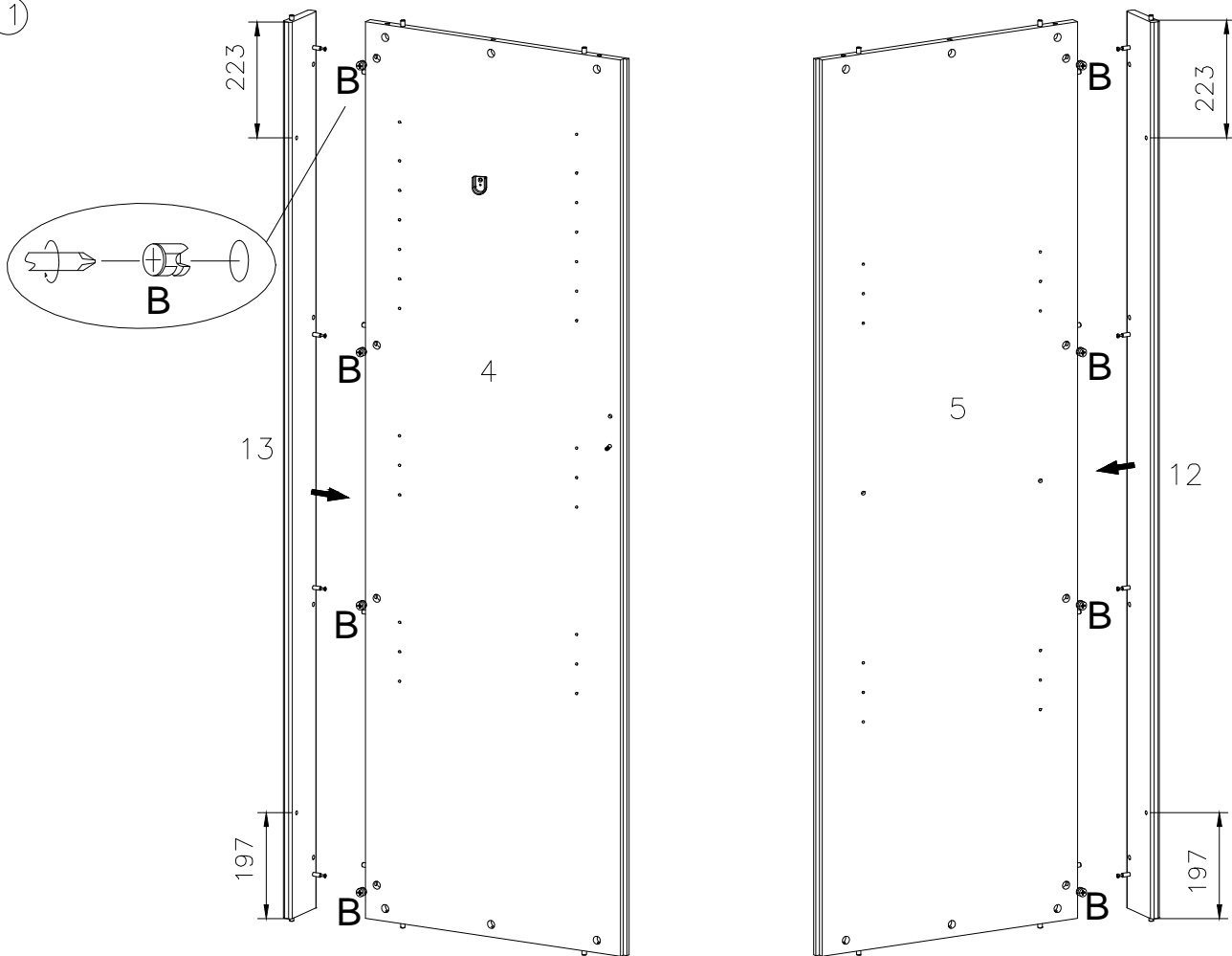
9



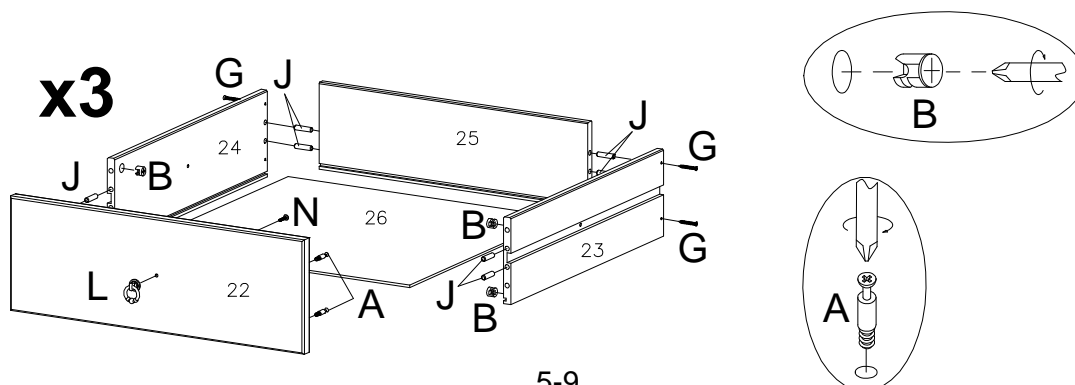
10



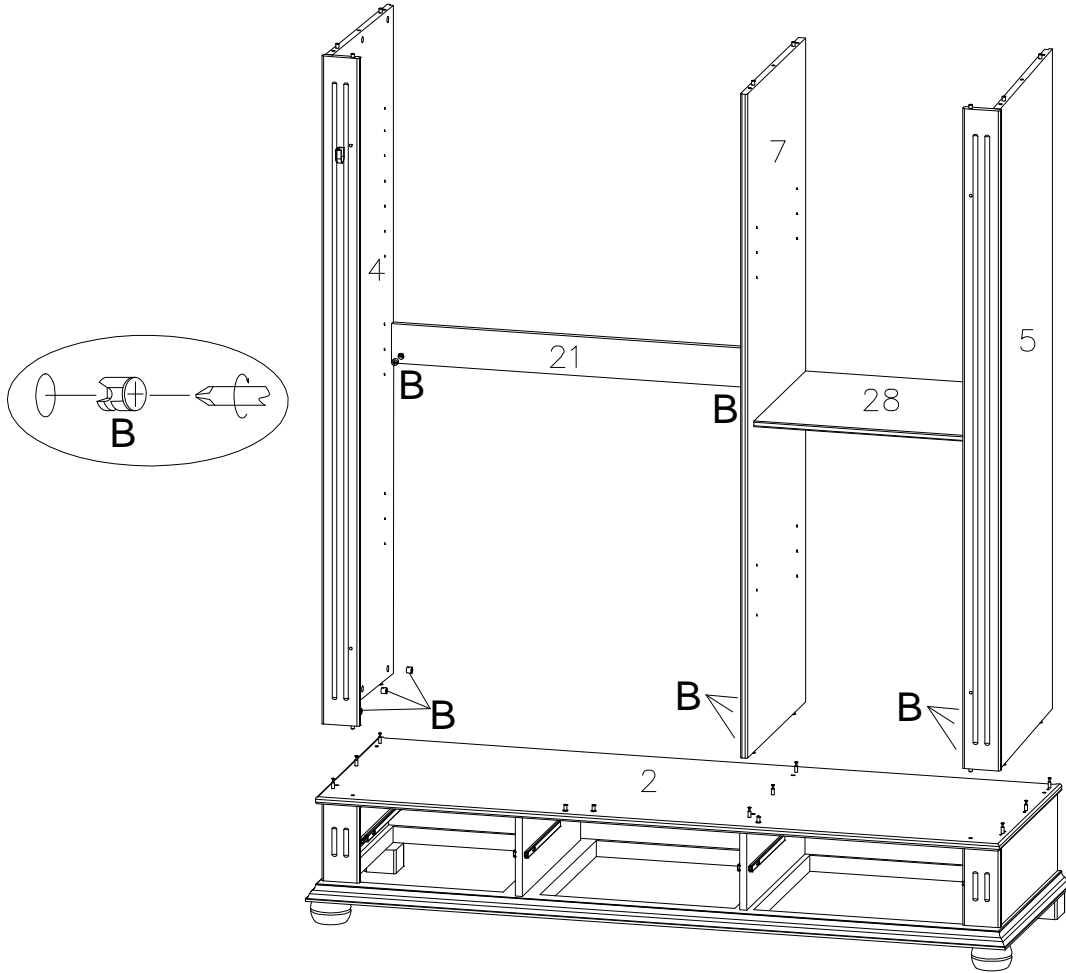
11



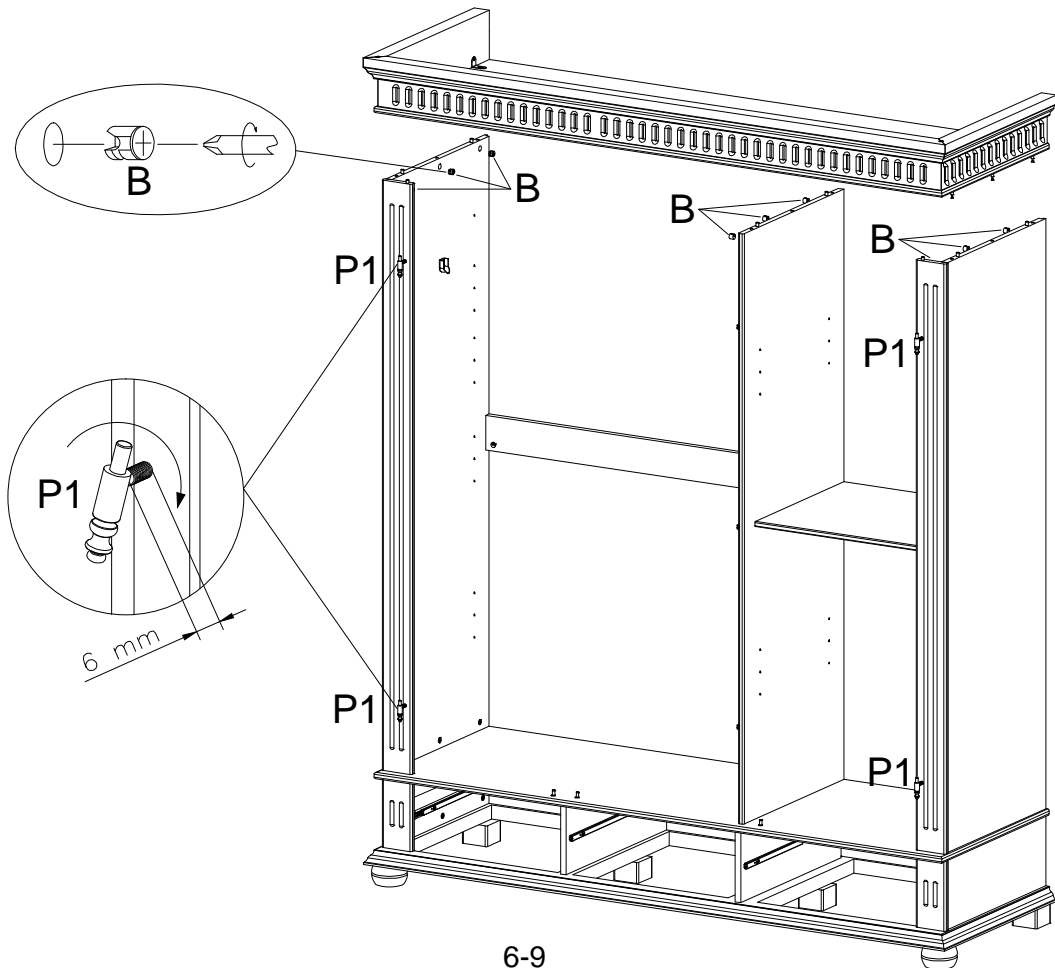
12



13

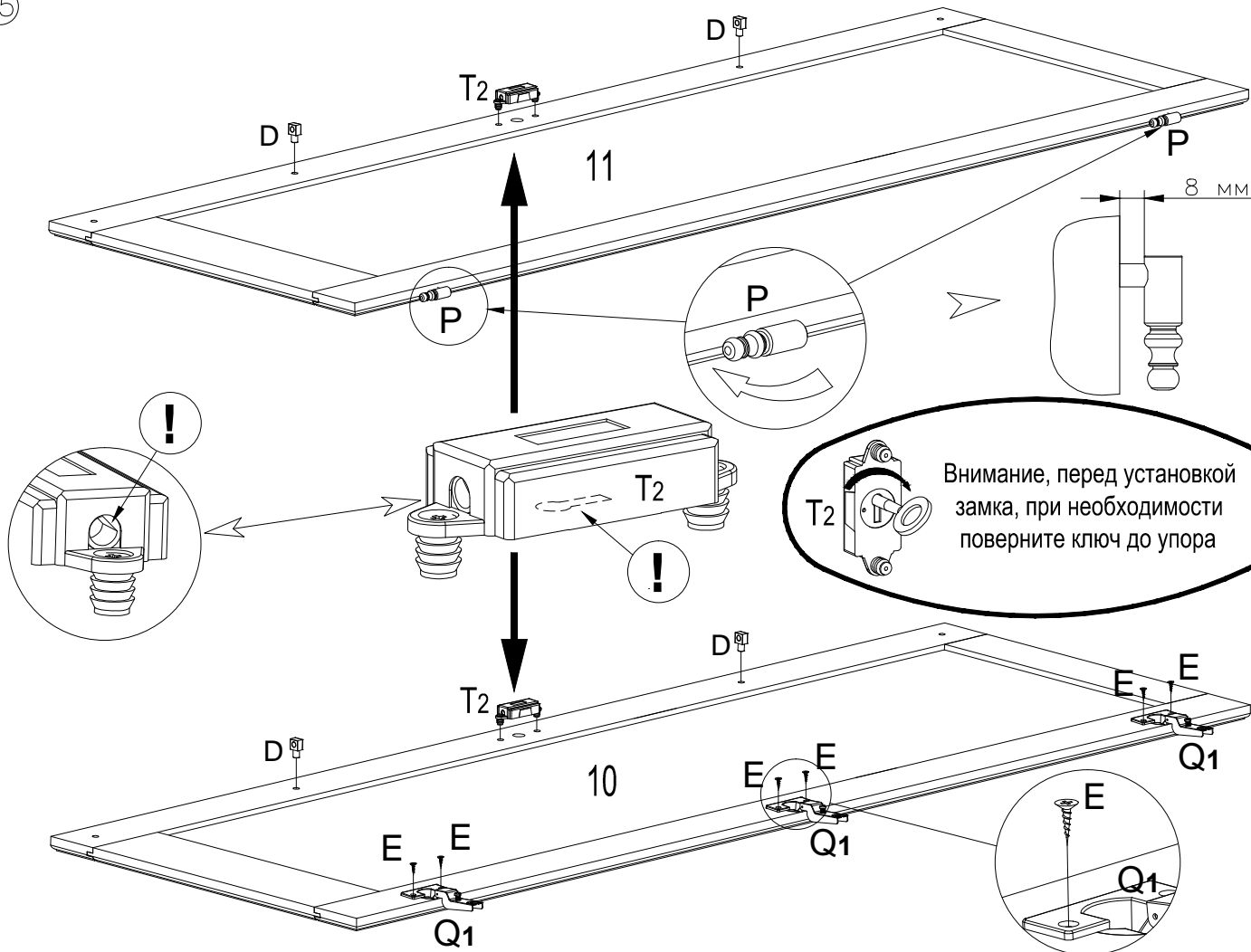


14

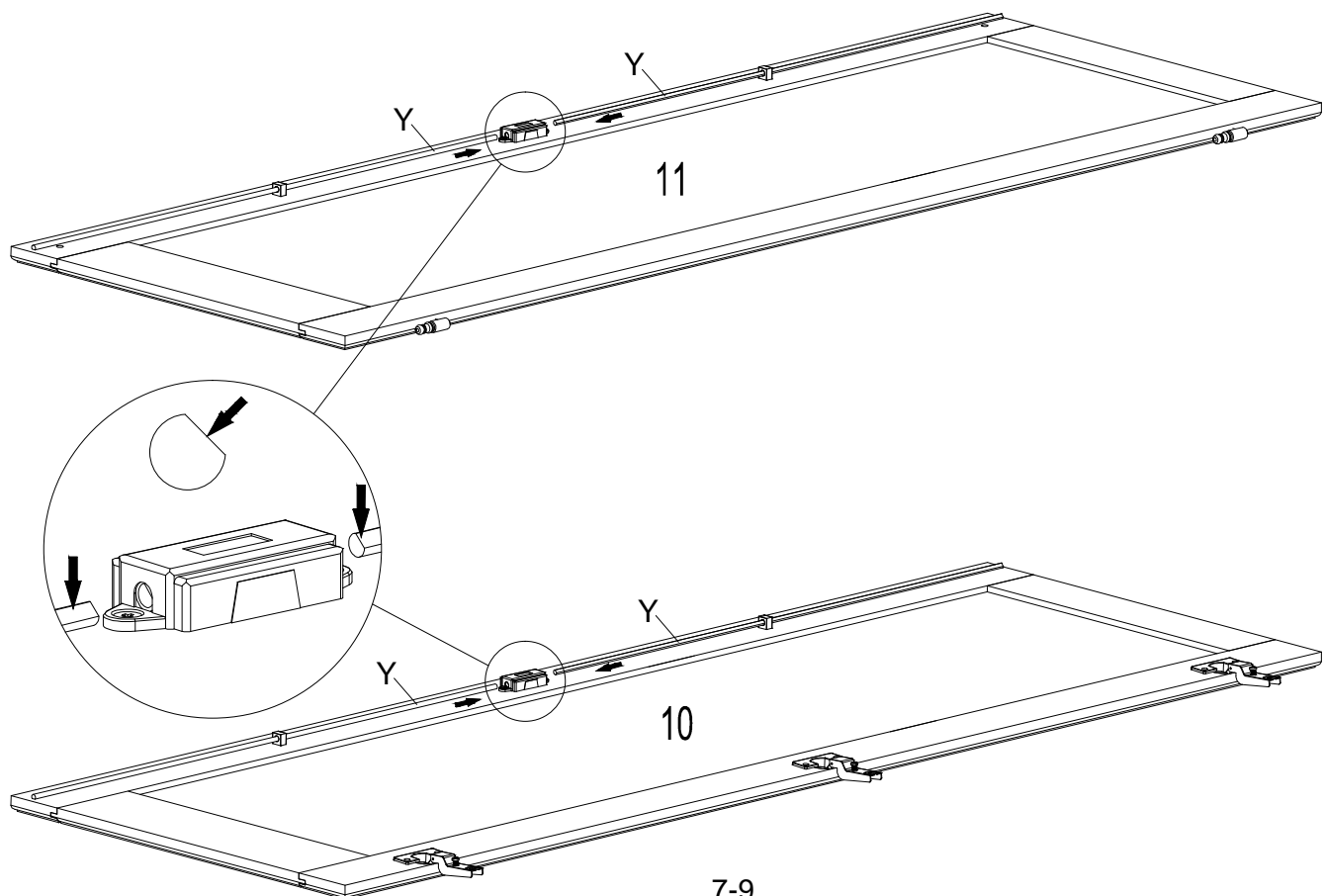


6-9

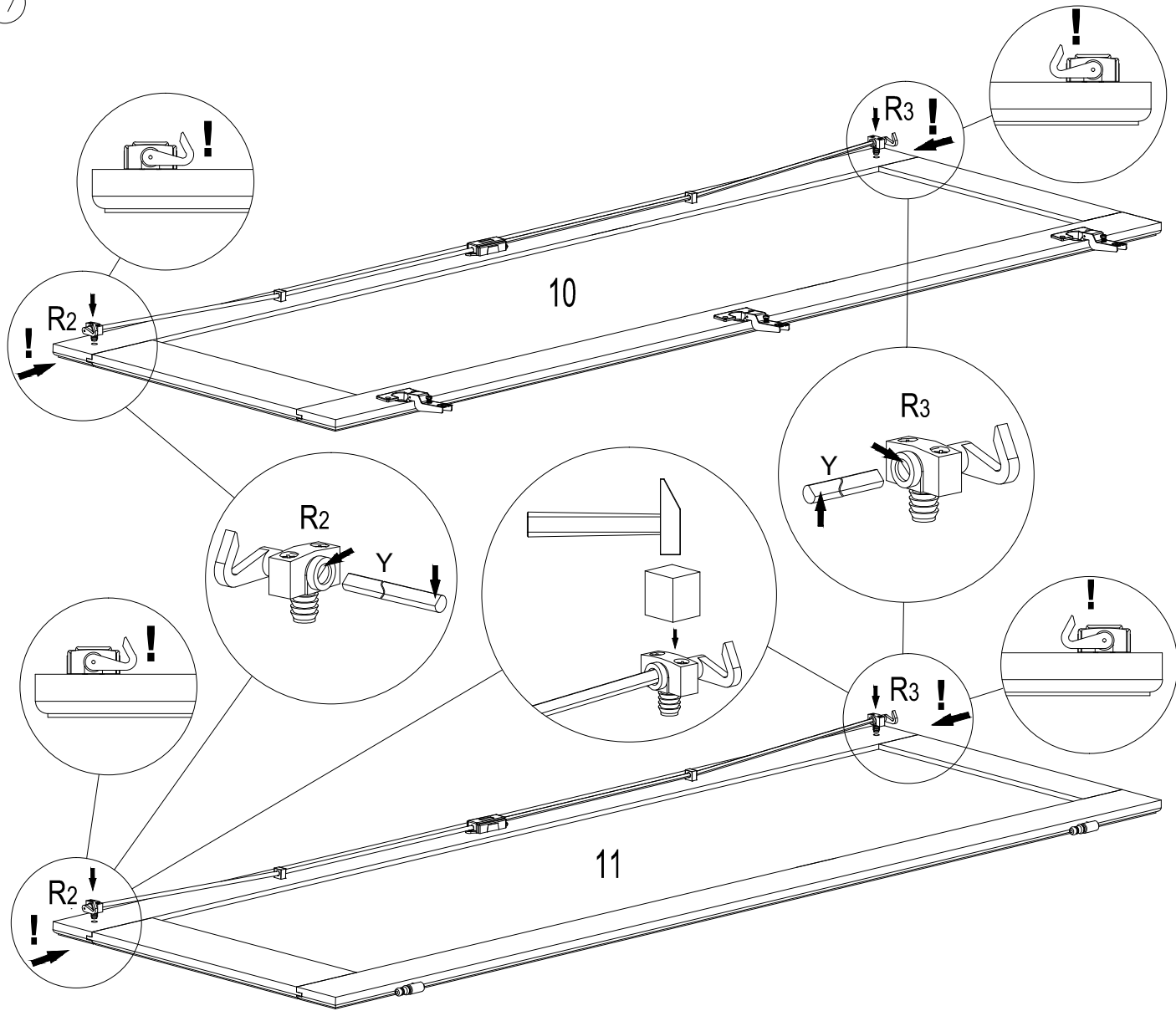
15



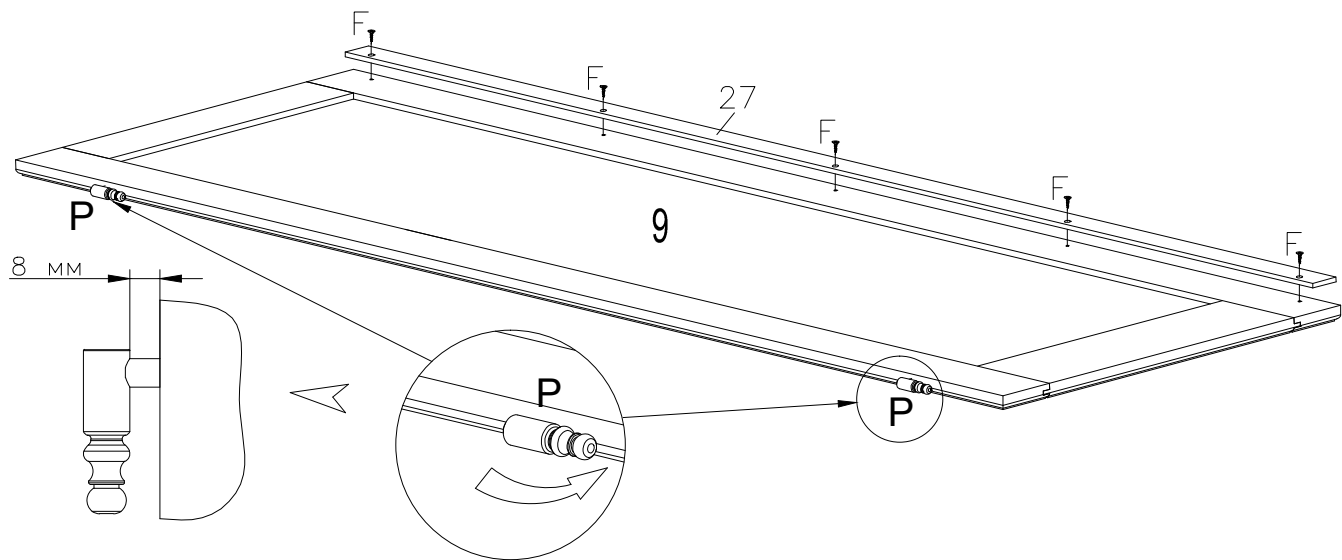
16



17

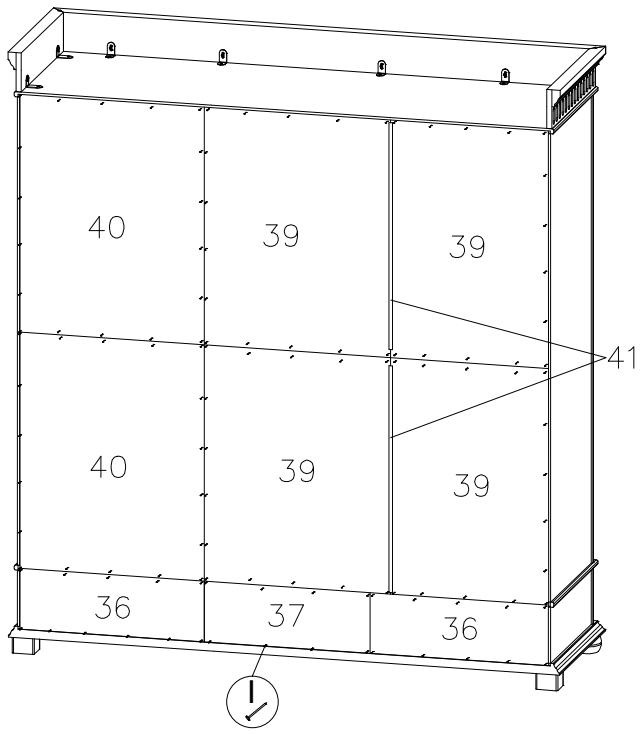


18

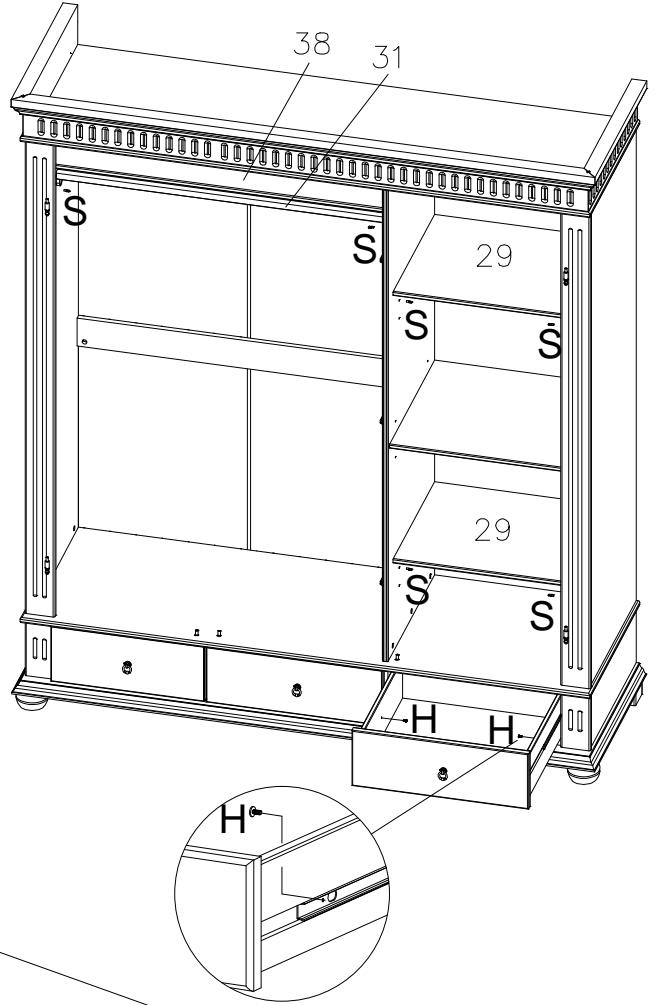


8-9

19



20



21

