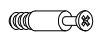



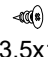
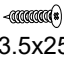
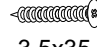

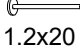
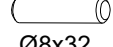
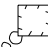





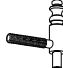


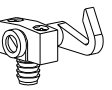



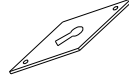


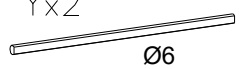
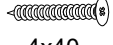

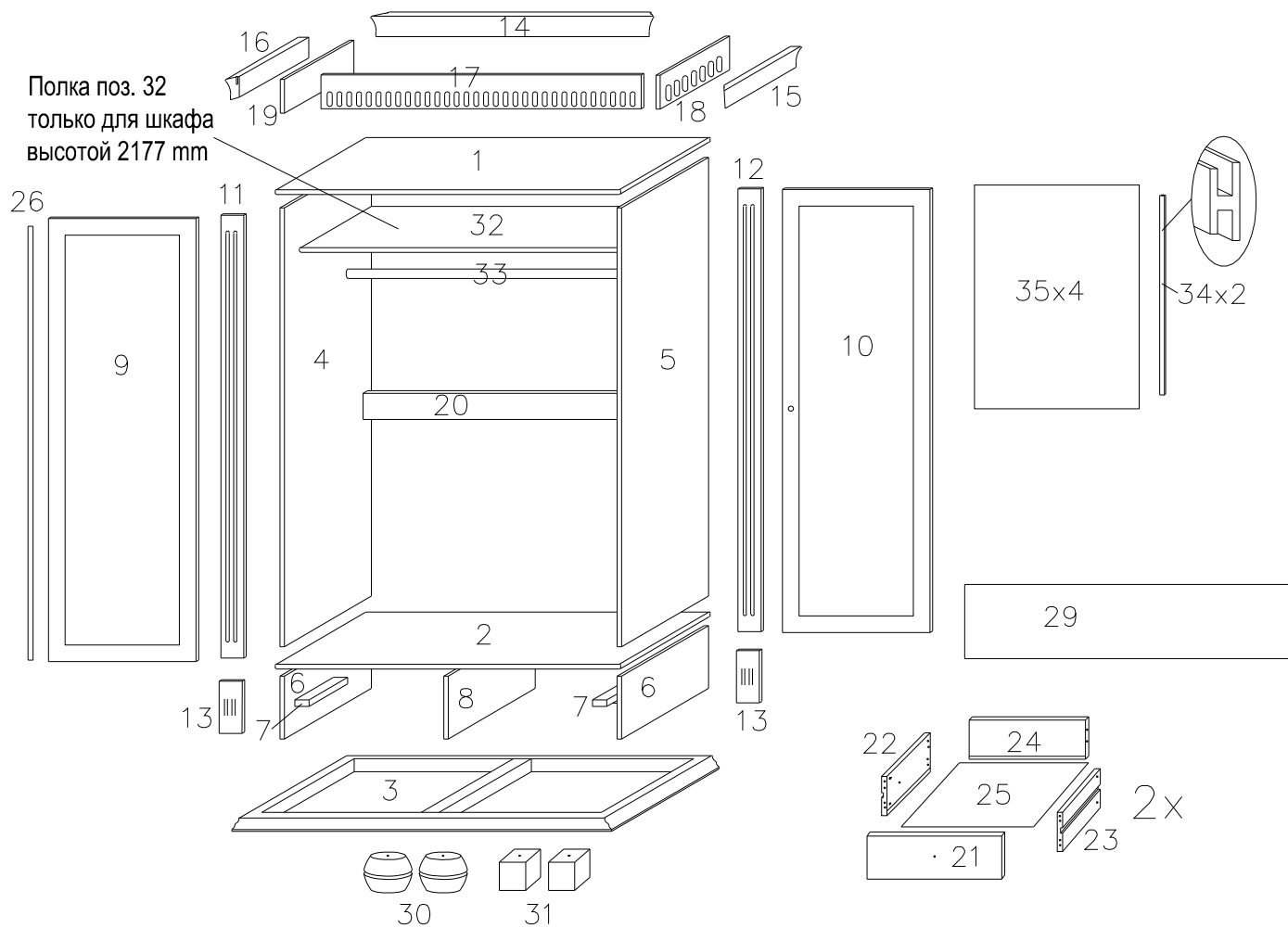
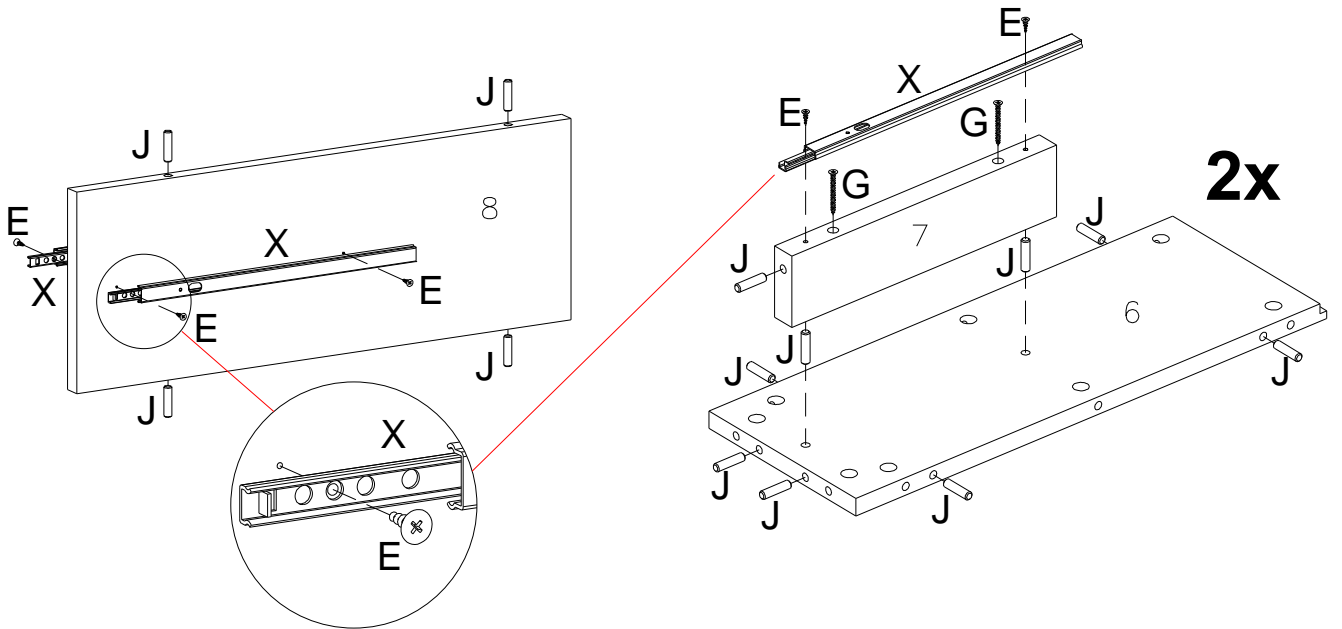


100 min

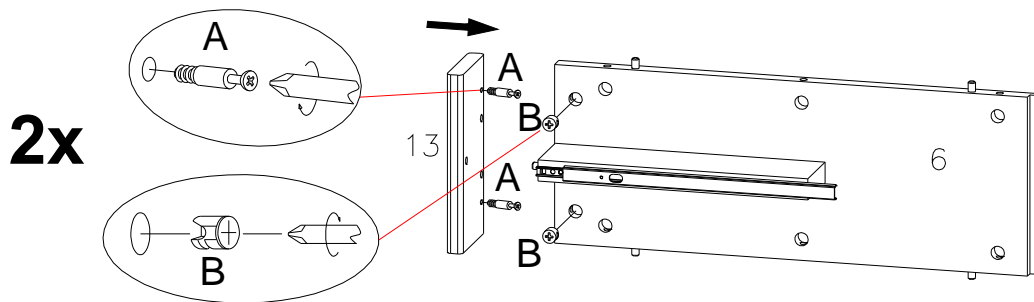
Ax46 	Bx46 	Cx4 	Dx2 	Ex24  3.5x15	Fx5  3.5x25
Gx19  3.5x35	Hx4  M4x10	Ix75  1.2x20	Jx66  Ø8x32	J1x1 	Kx2 
Lx2 	Mx2 	Nx2  M4x27	Ox4 	Px4 	Qx4 
R1x1 	S1x1 	T1x1 	Ux1 	Vx7 	
Wx1 	W1x2  2x13	Xx4 	Yx2  Ø6		
N1x2  4x40	M1x2 				



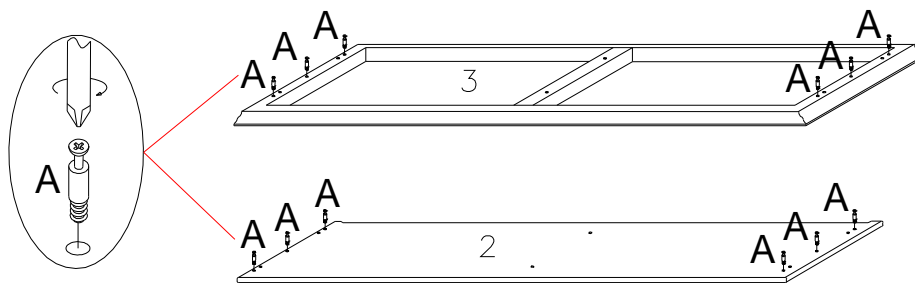
①



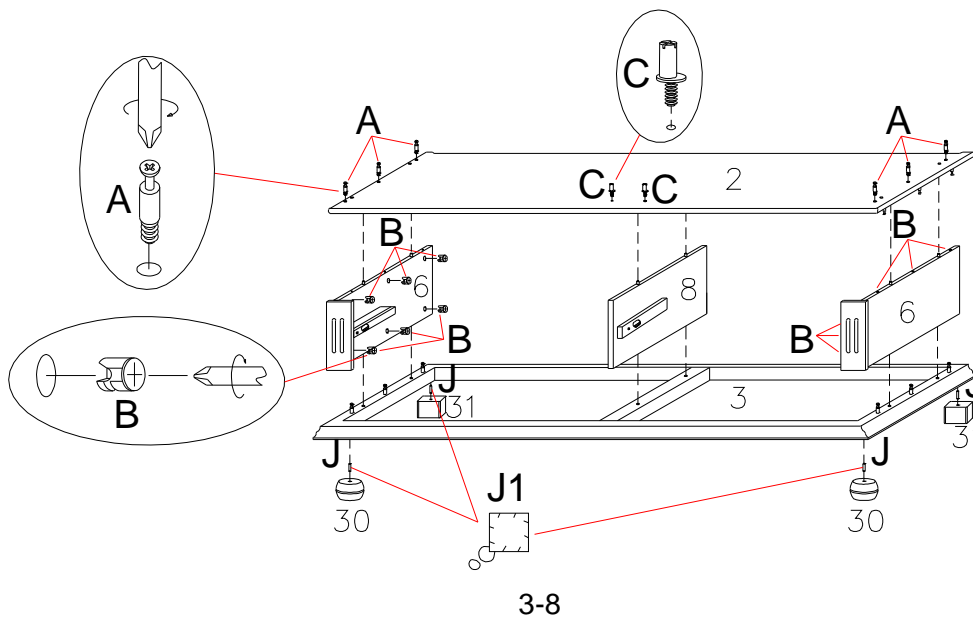
②



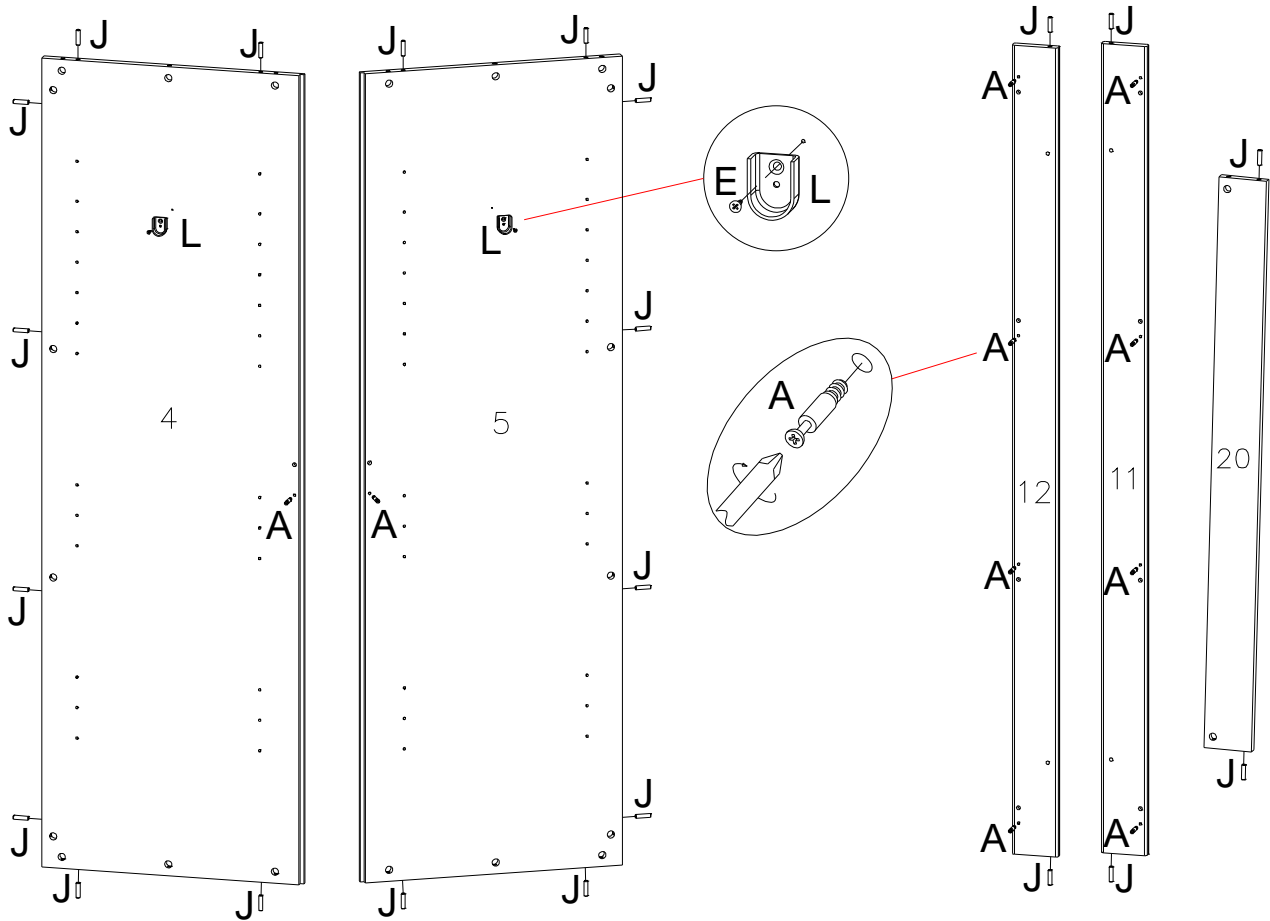
③



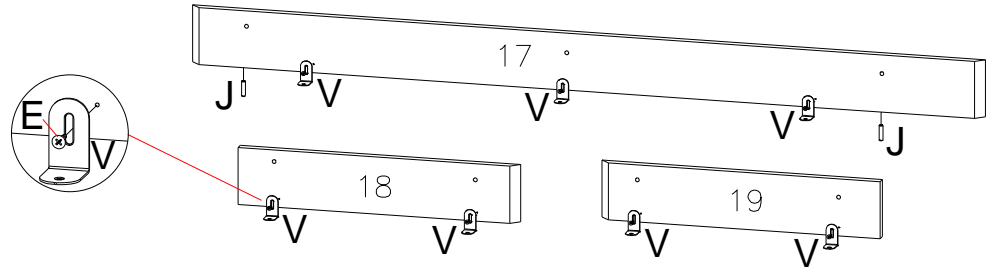
④



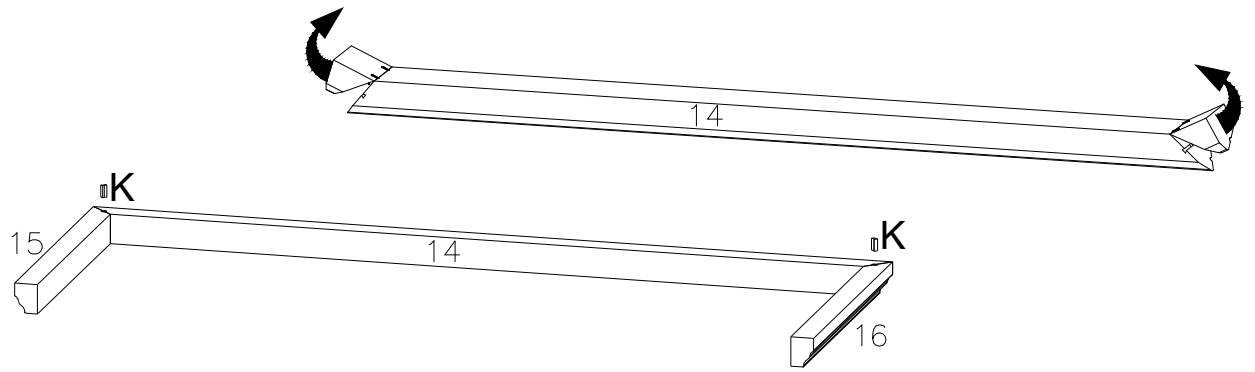
5



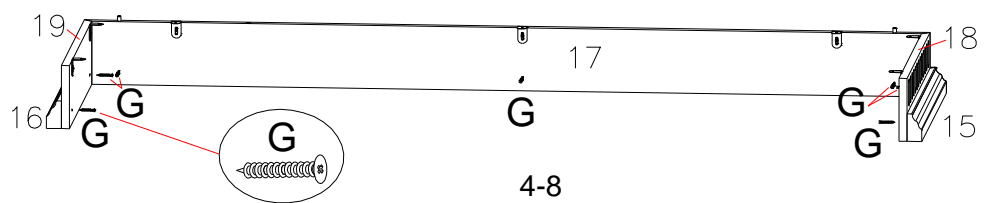
6

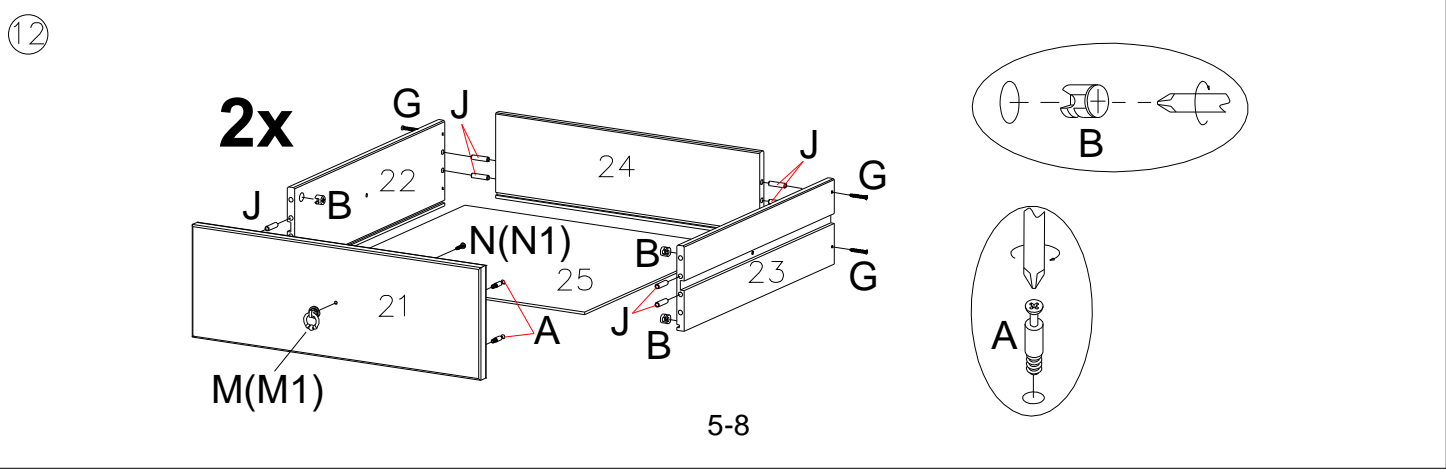
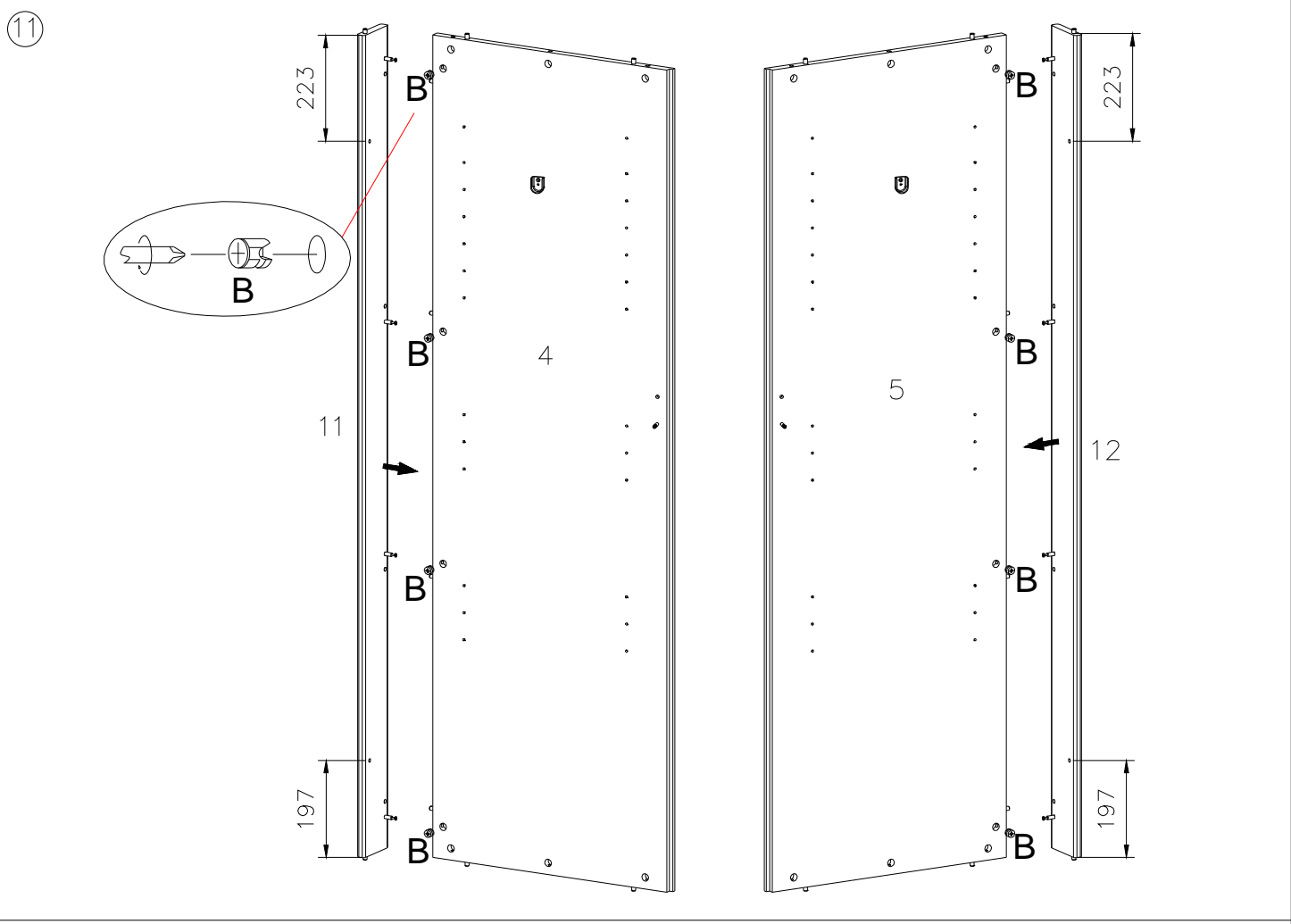
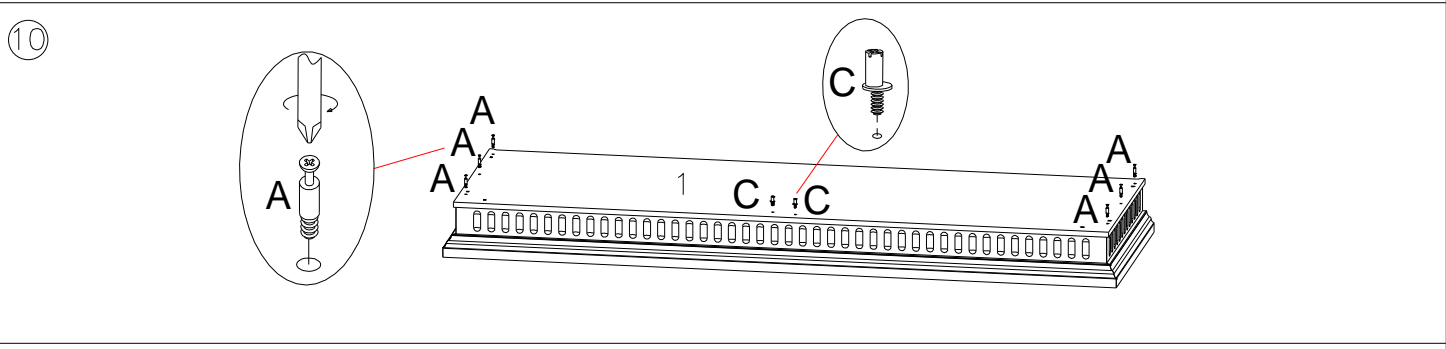
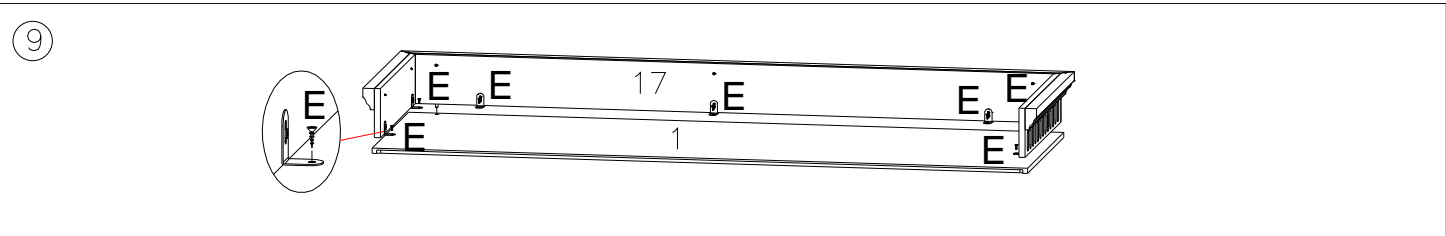


7

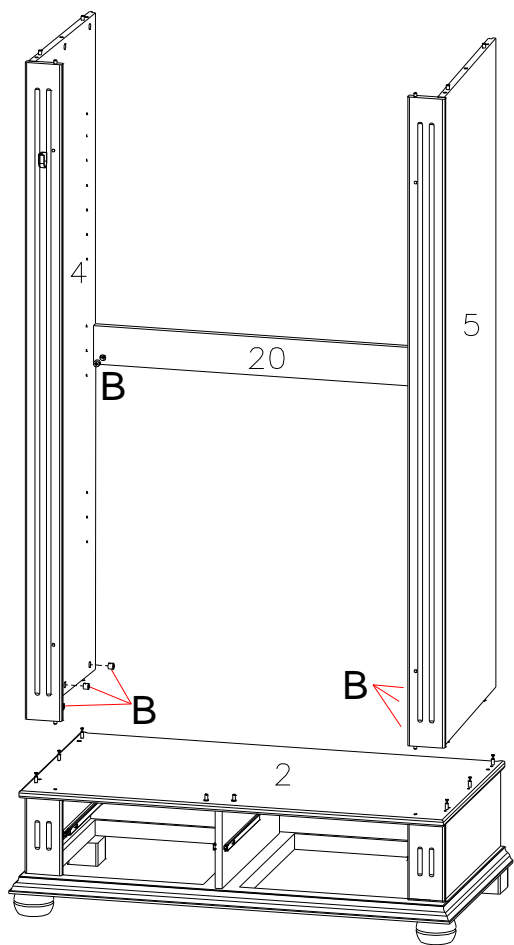


8

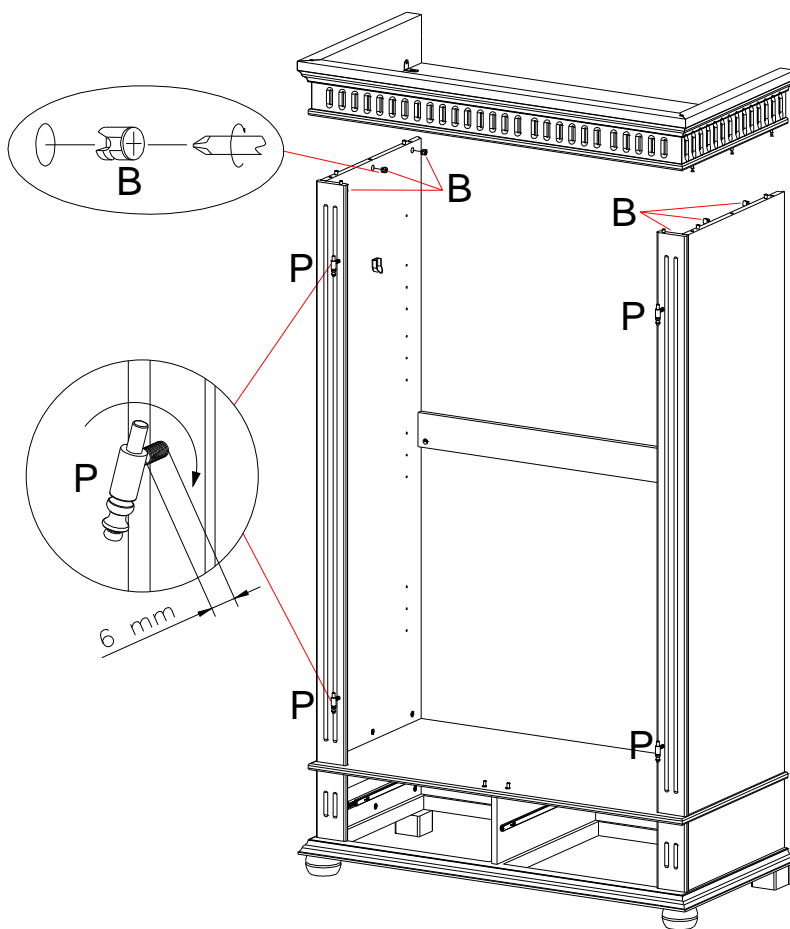




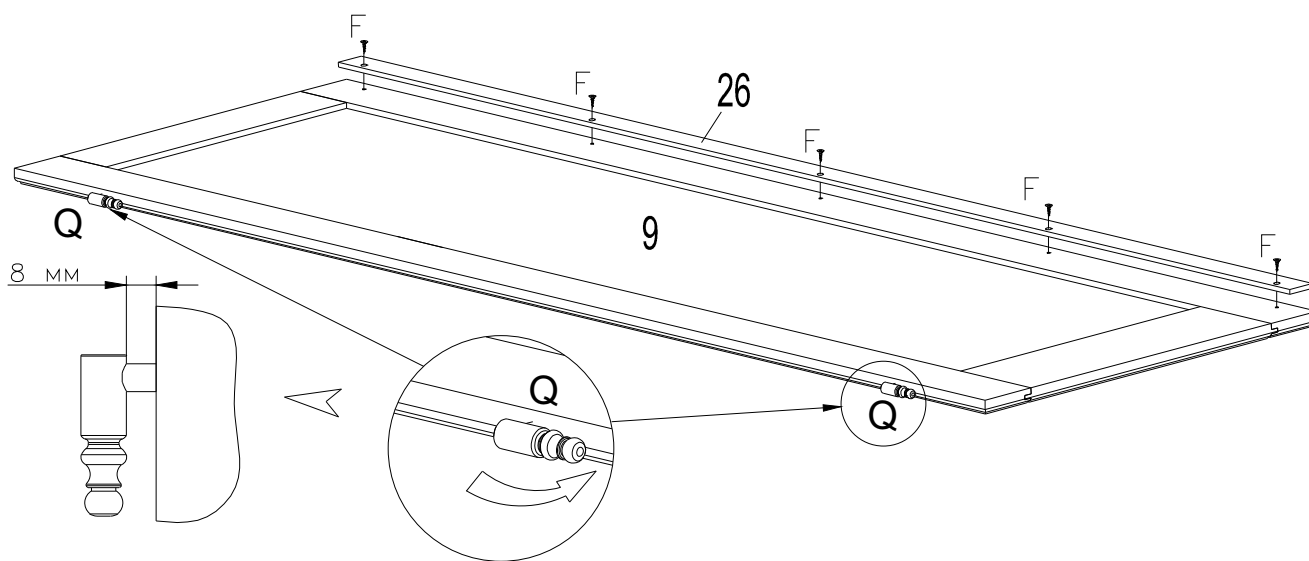
13

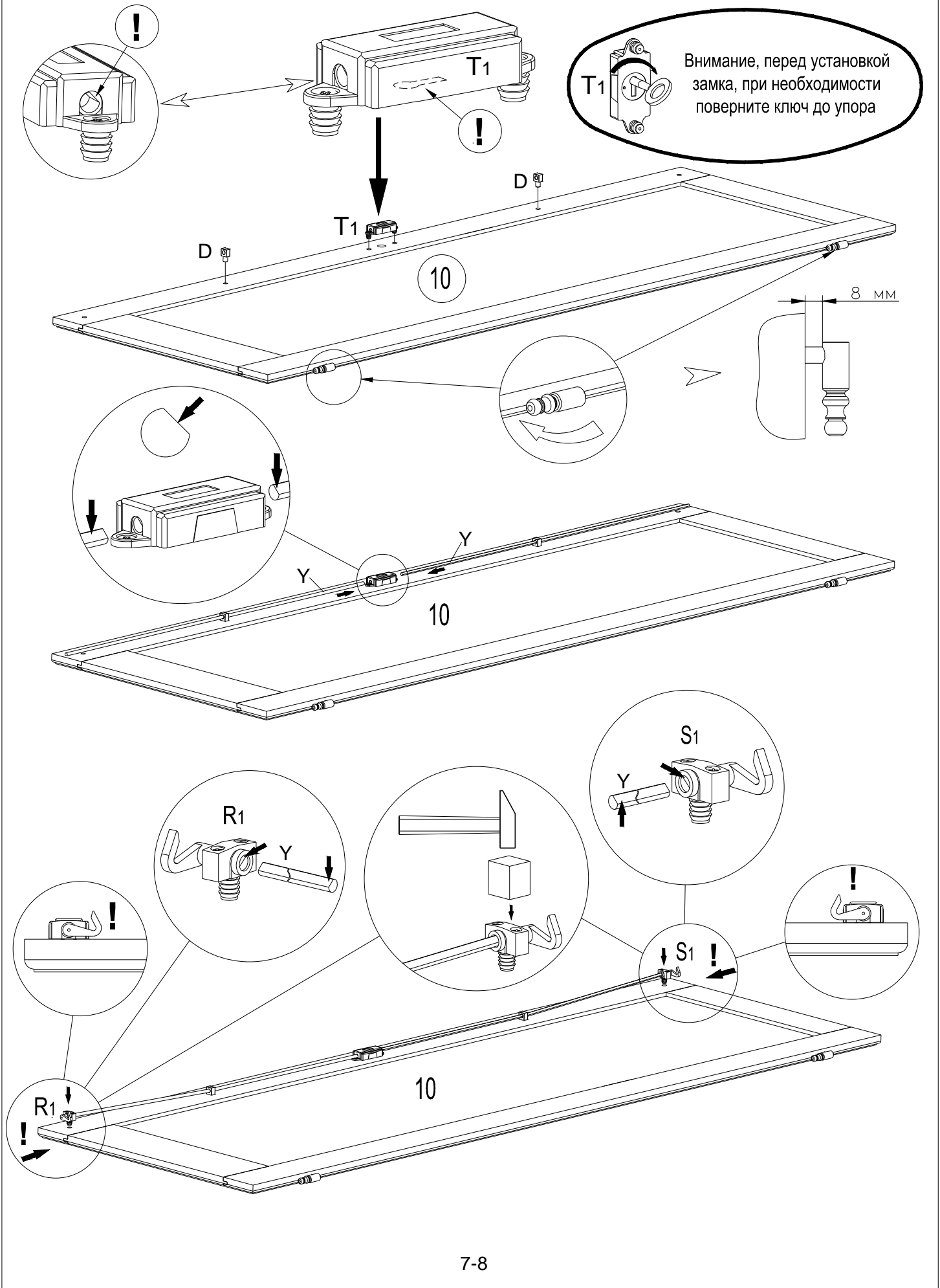


14

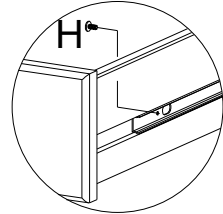
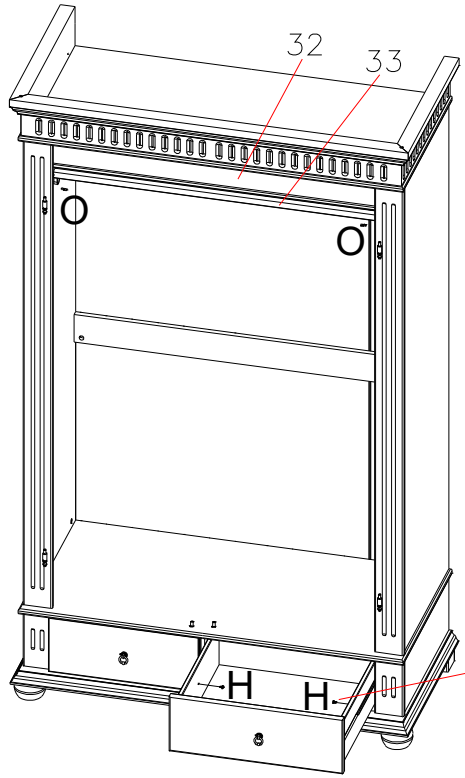
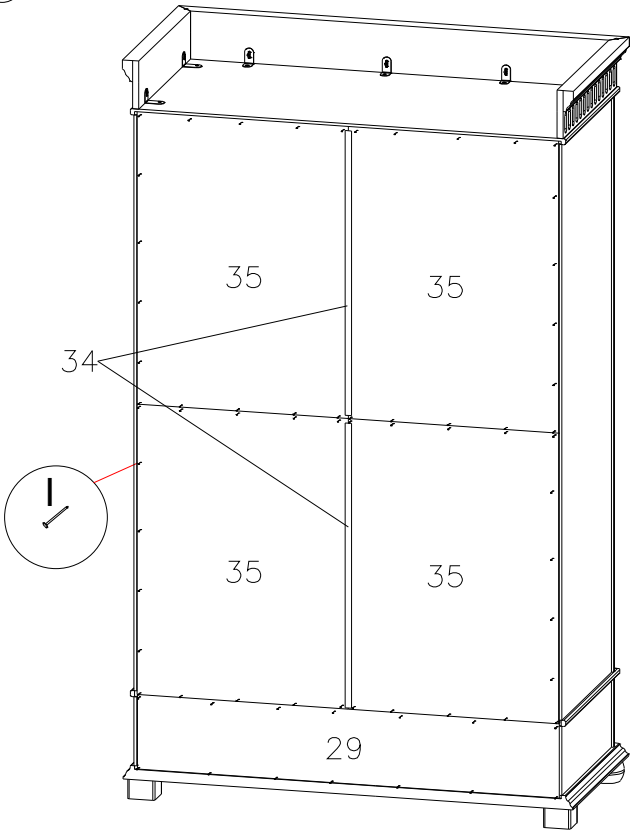


15





17



18

