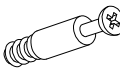









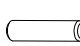






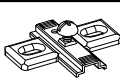

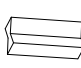


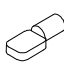

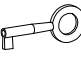







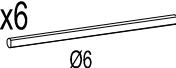
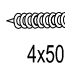
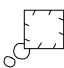
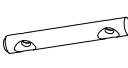


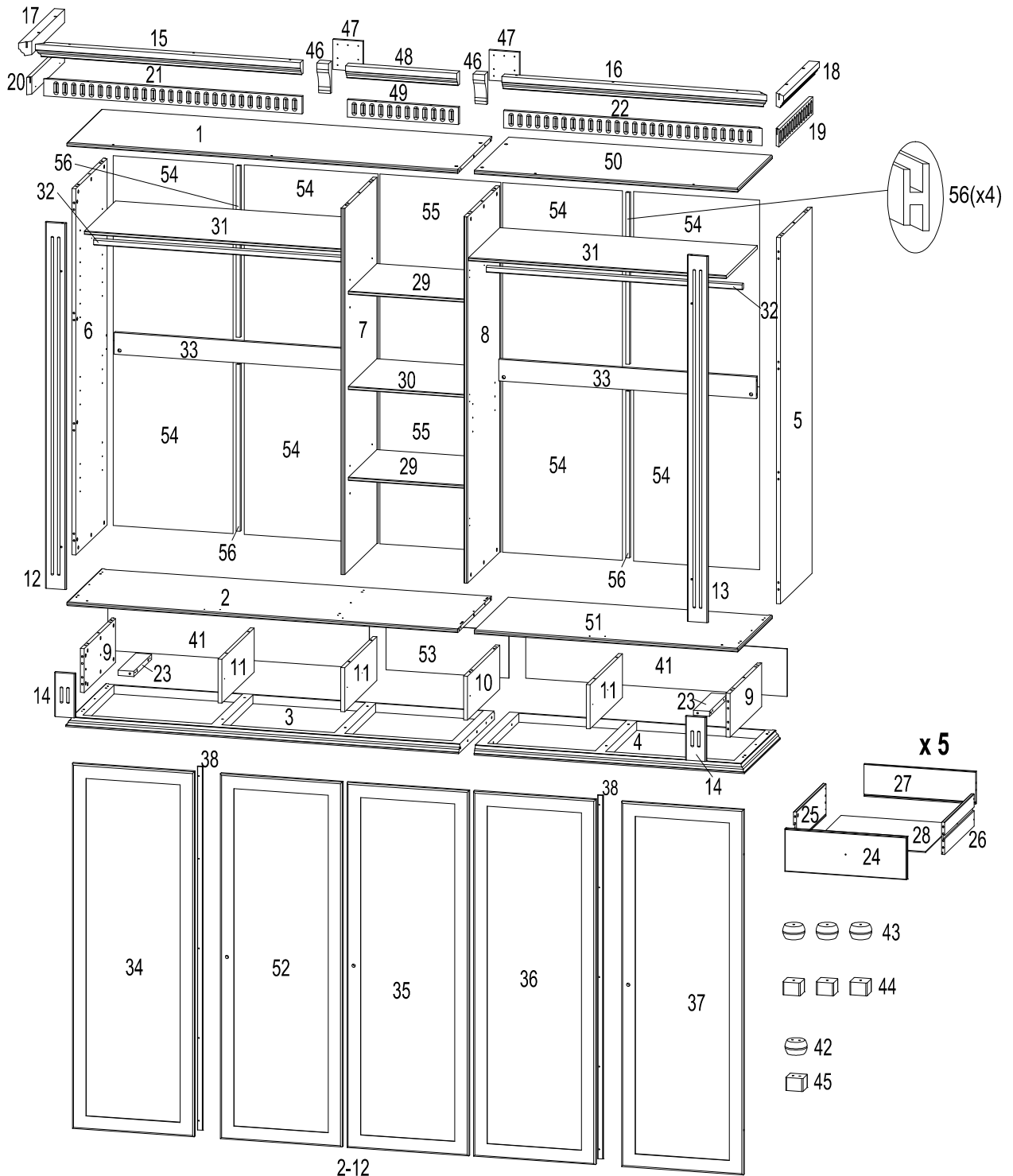


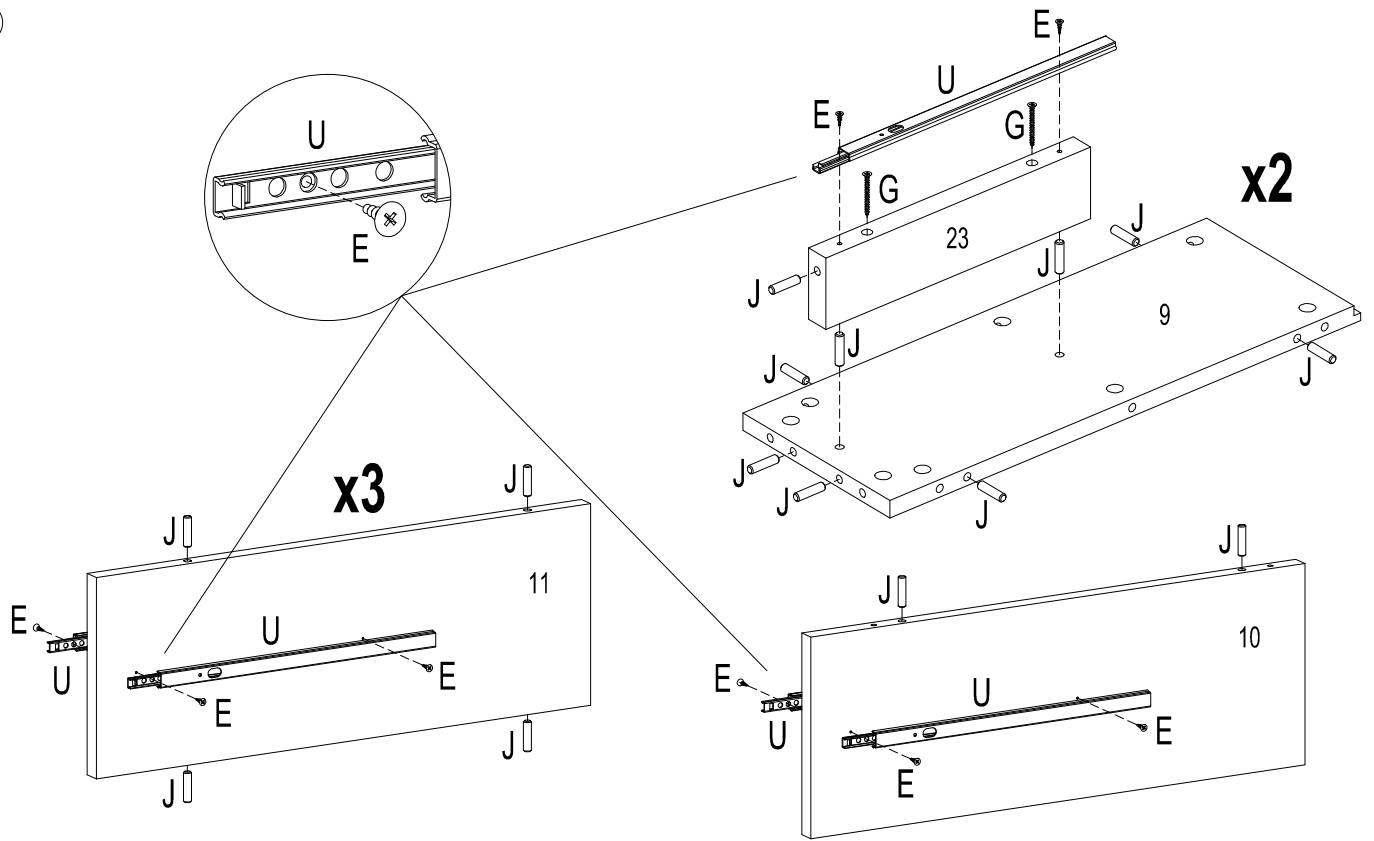
180 min

EAC

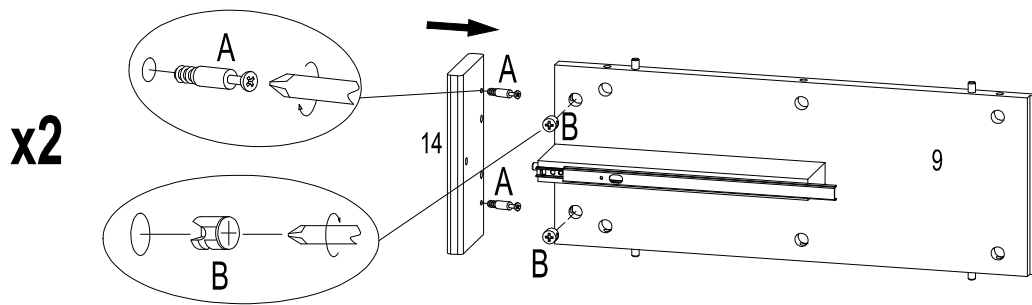
Ax72 	Bx72 	Cx10 	Dx4 	D1x2 	Ex80  3.5x15	
Fx26  3.5x25	Gx24  3.5x35	Hx10  M4x10	Ix180  Ø1,2x20	Jx134  Ø8x32	J1x3  Ø10x50	
Kx4 	Lx5 	L1x5  M4x27	Mx4 	M1x4 	Nx9 	
N1x9 	Ox4 	Px2  7x50	P1x1  SW 4	Qx16 	R2x3 	
R1x3 	Sx10 	Tx3 	T1x6  Ø2x13	Ux10 	Vx3 	V1x3 
W2x6 	W3x6  Ø6	Xx10  4x50	Yx1 	Zx4 	Z1x8 	Z2x8 



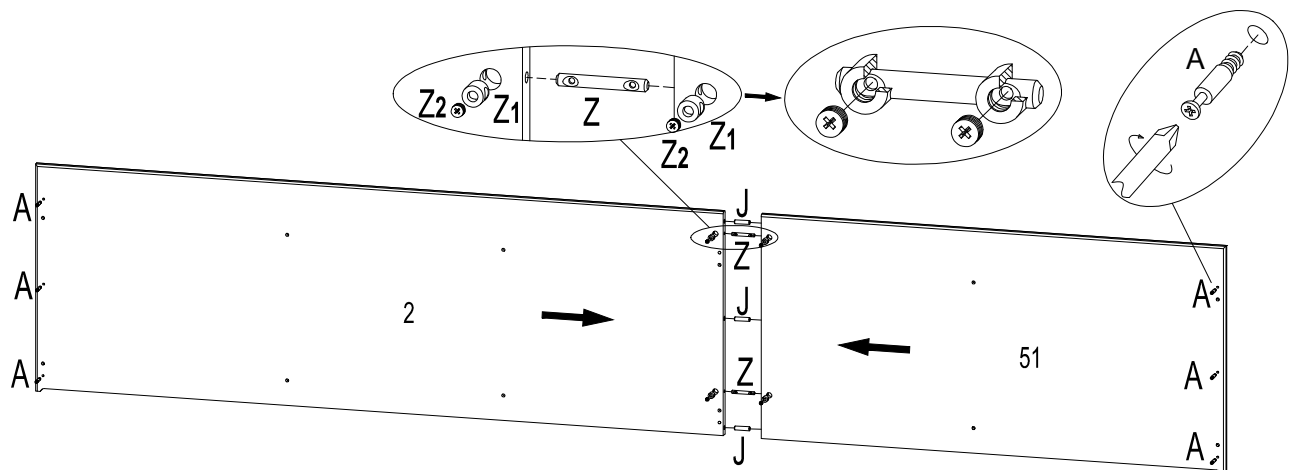
1

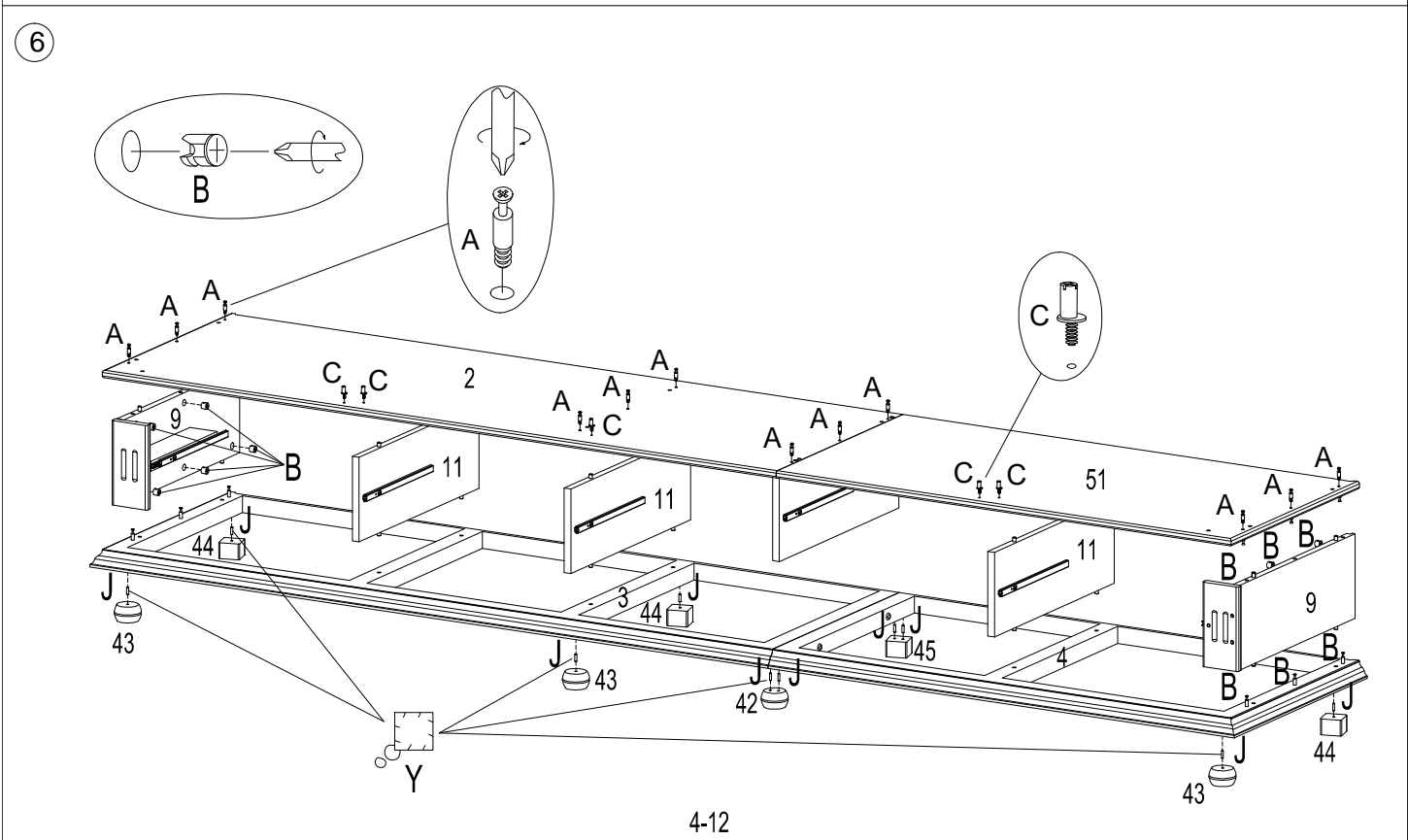
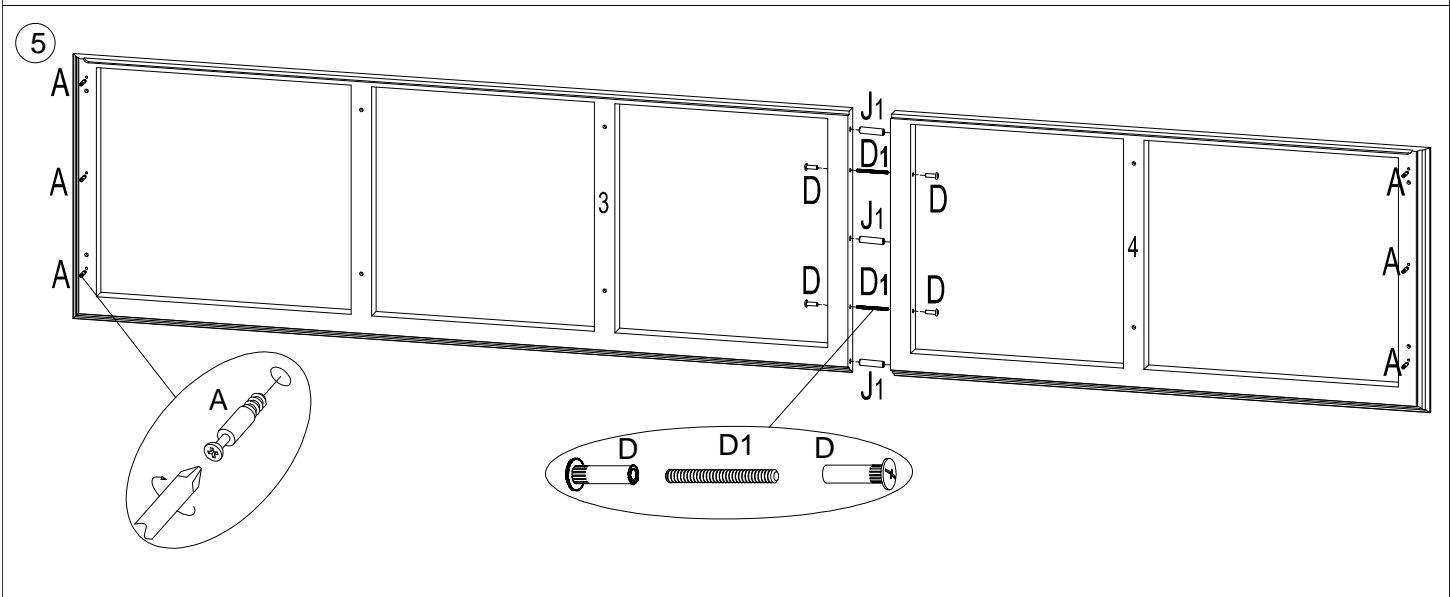
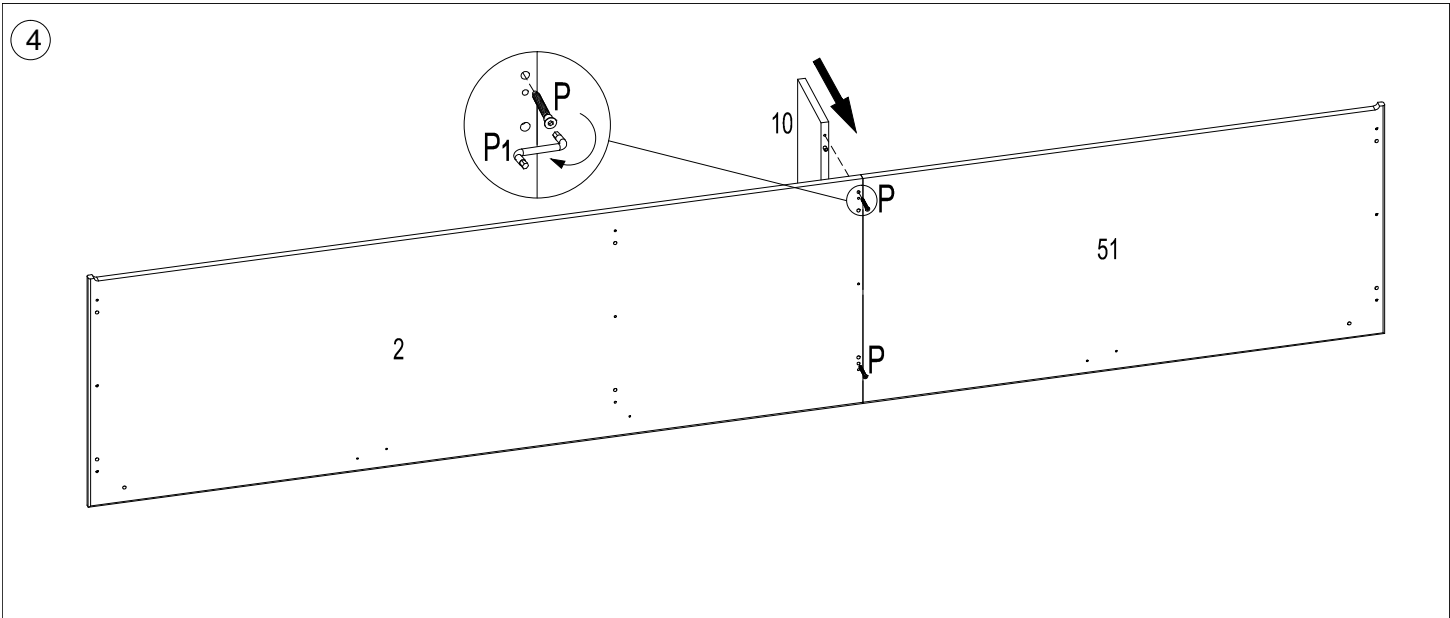


2

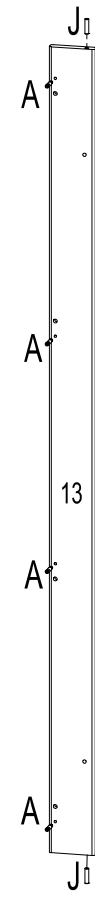
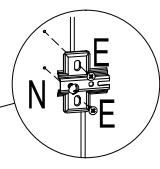
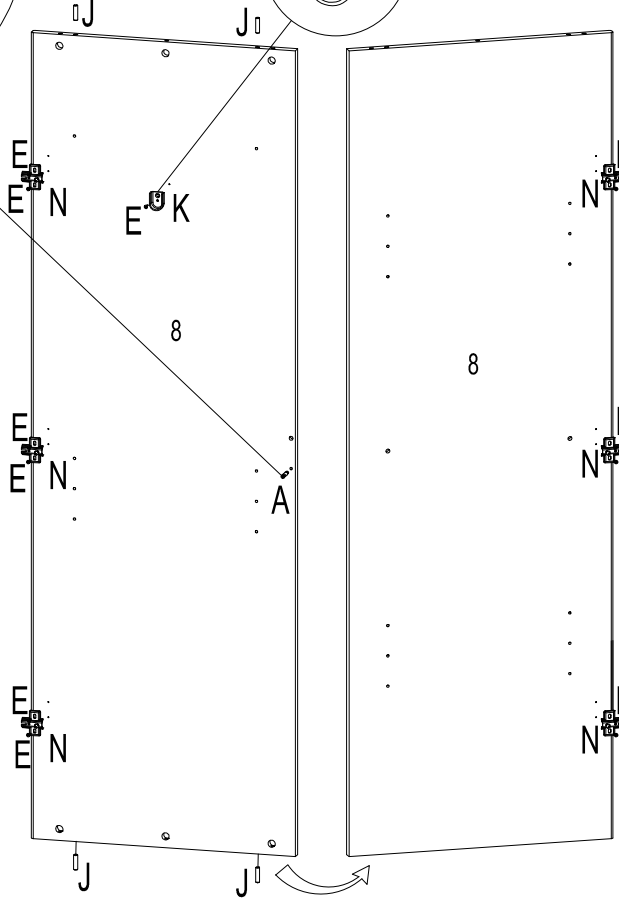
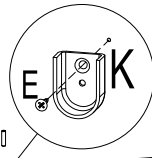
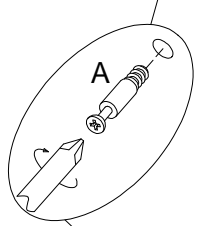
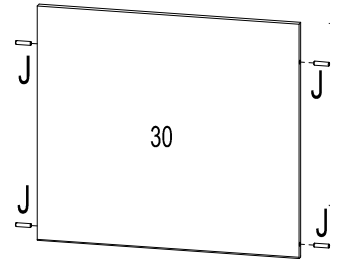
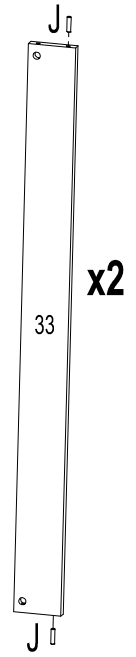
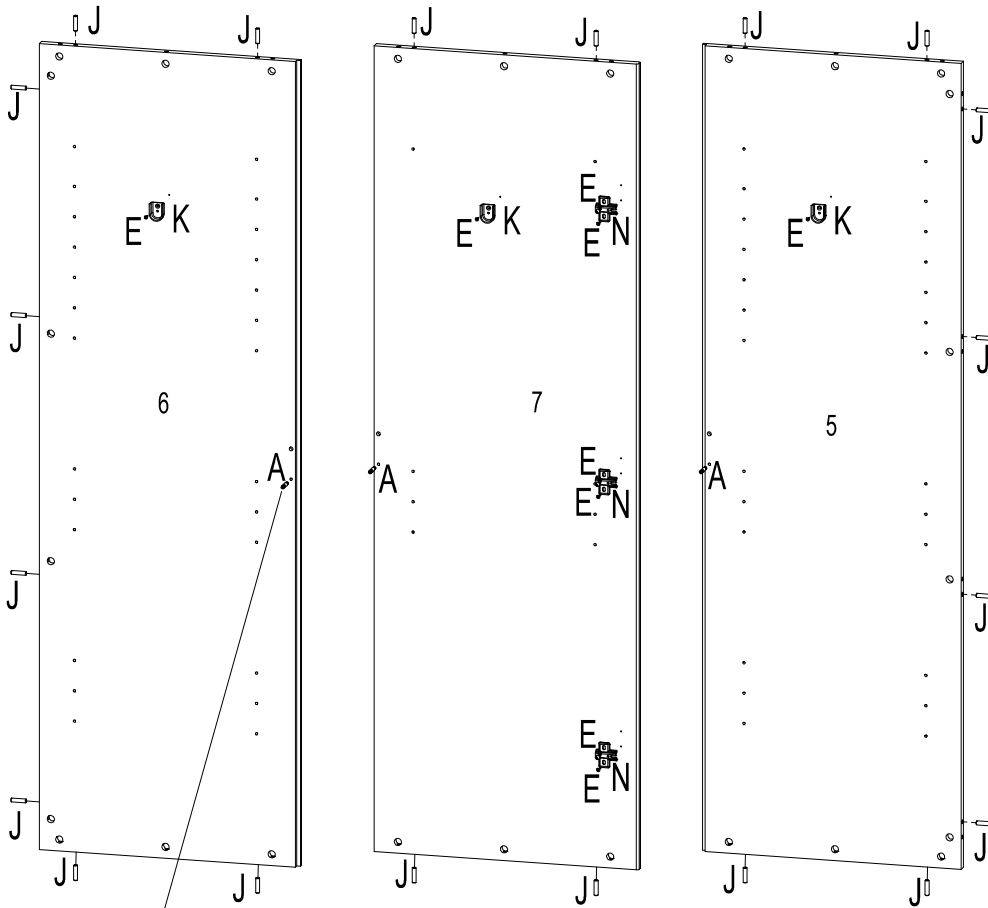


3

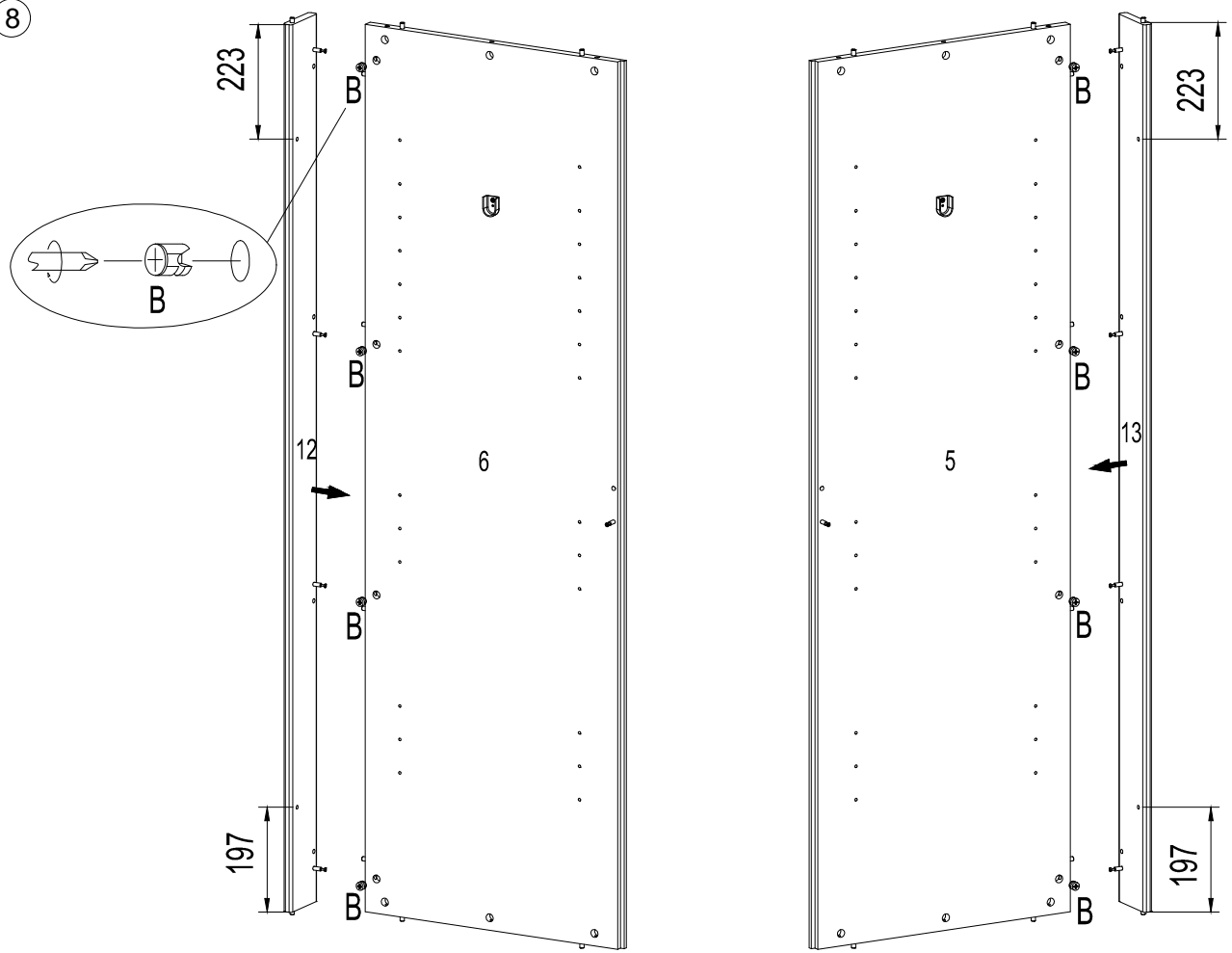




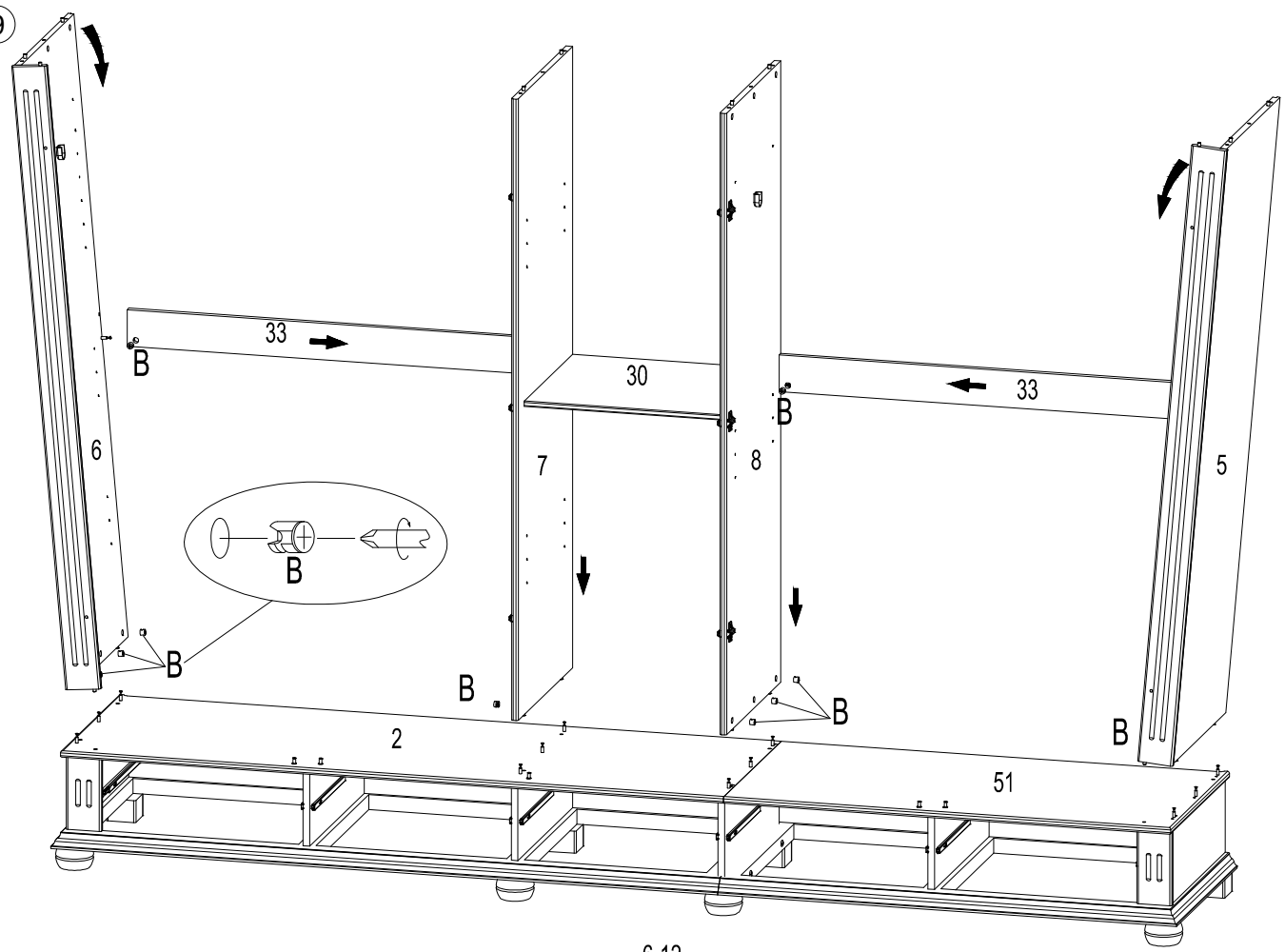
7

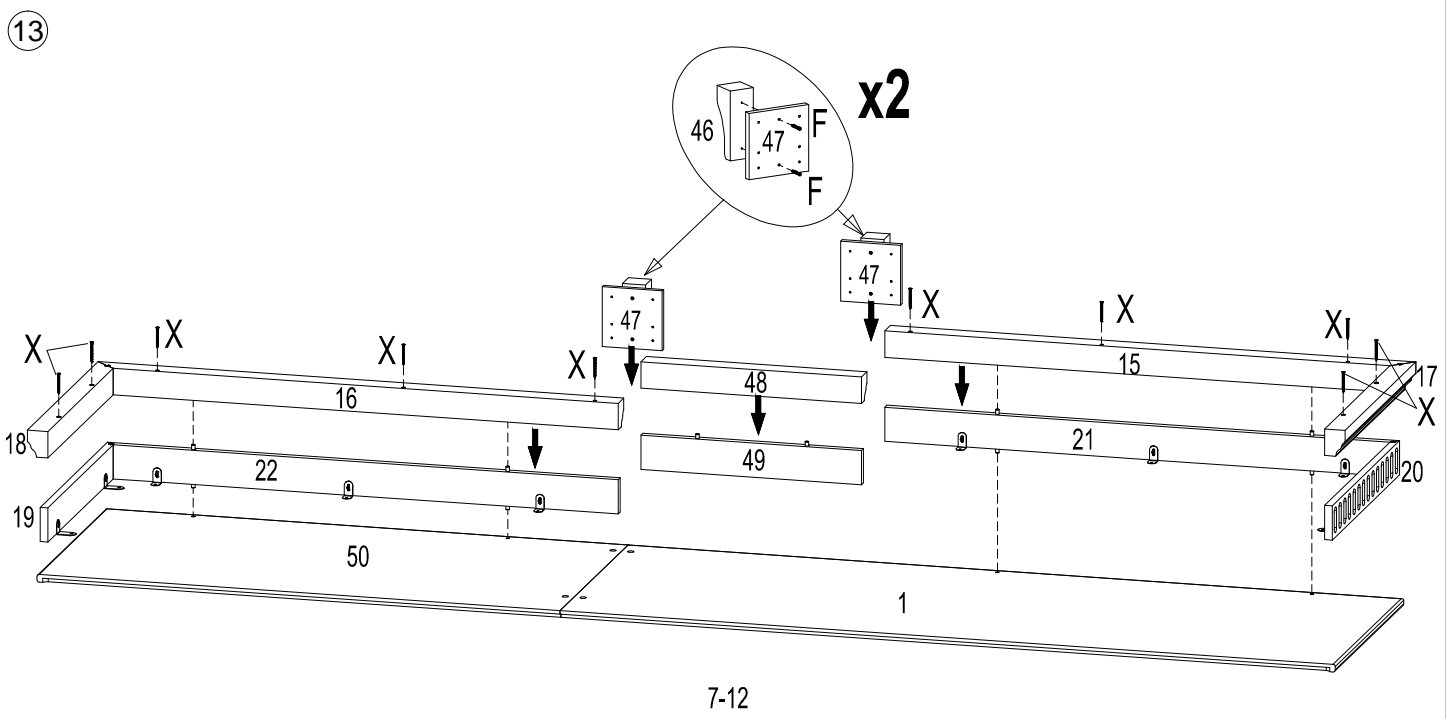
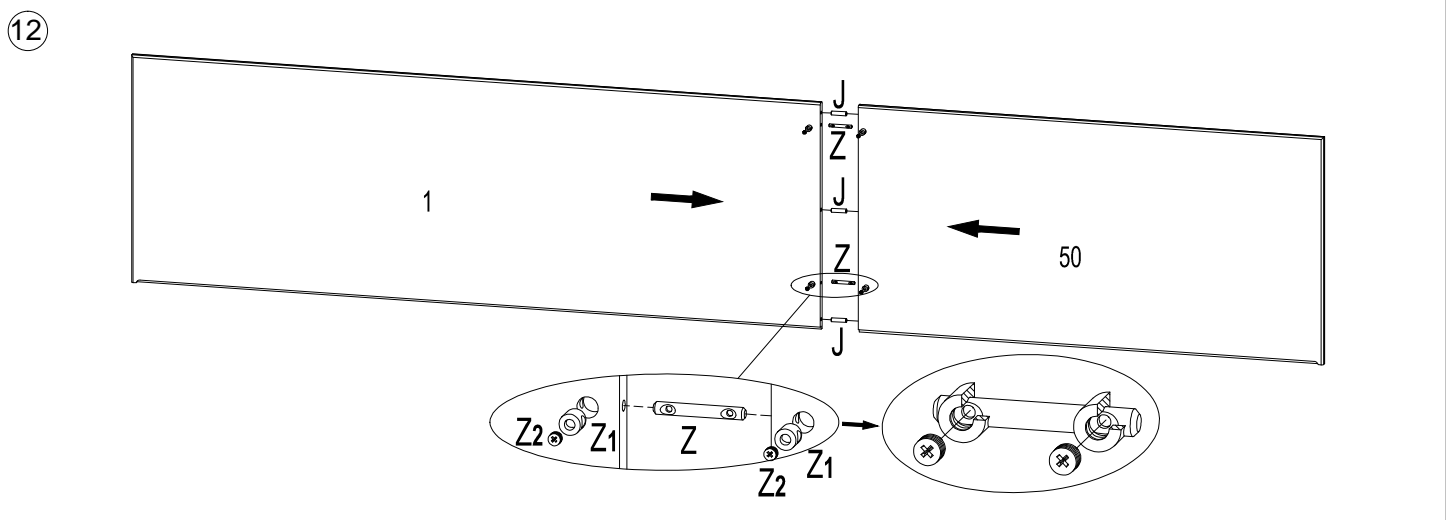
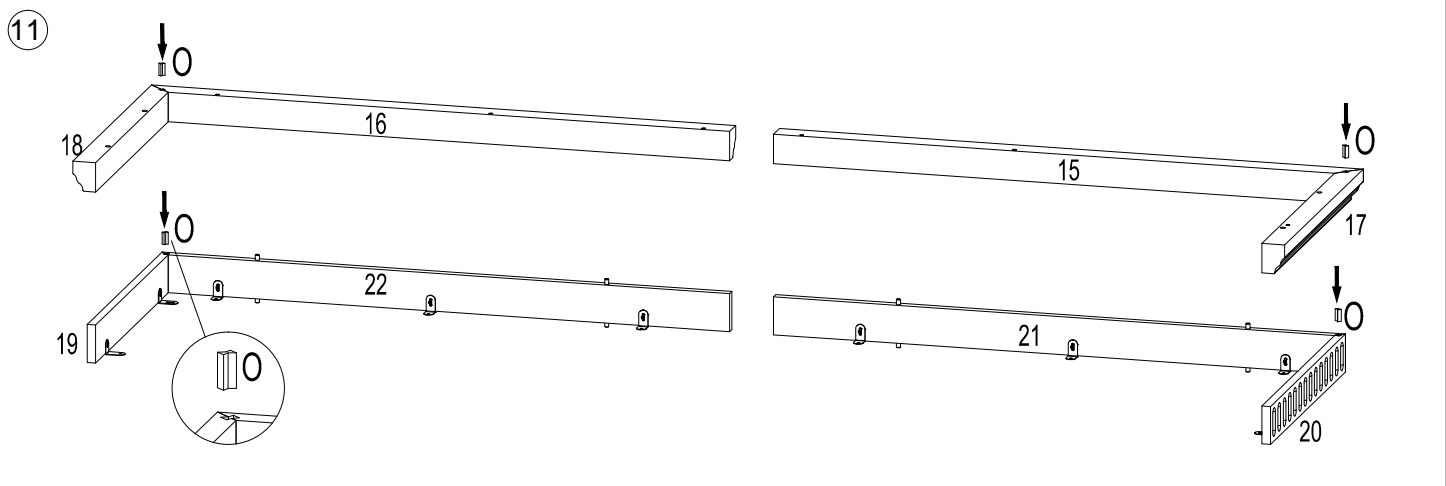
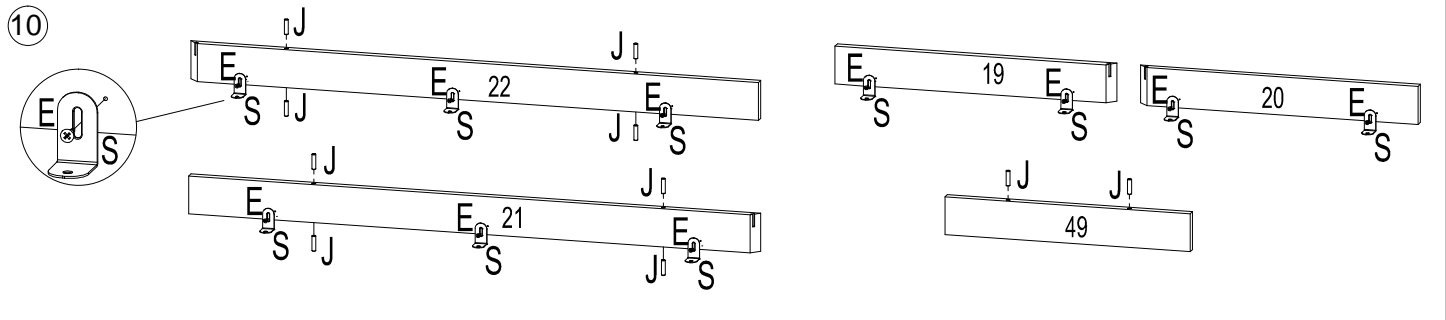


8

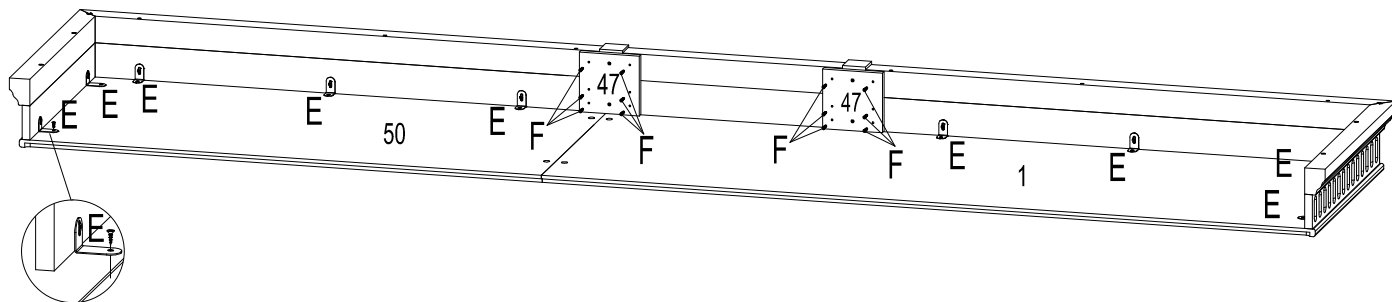


9

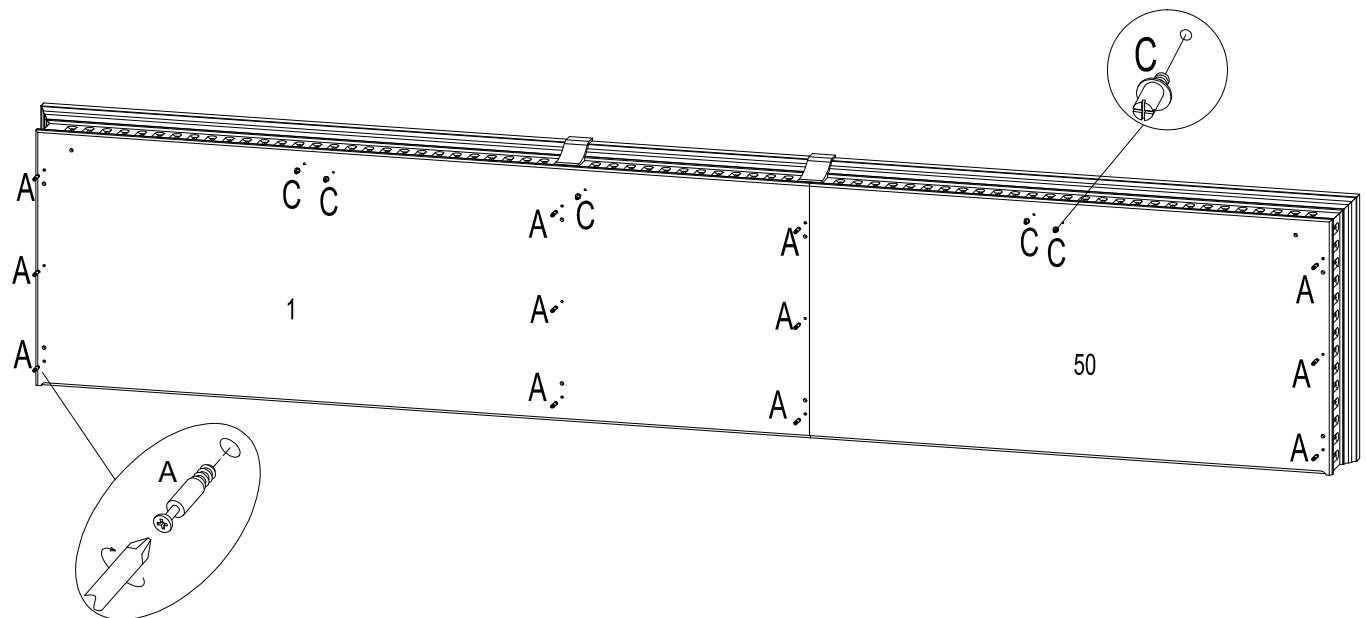




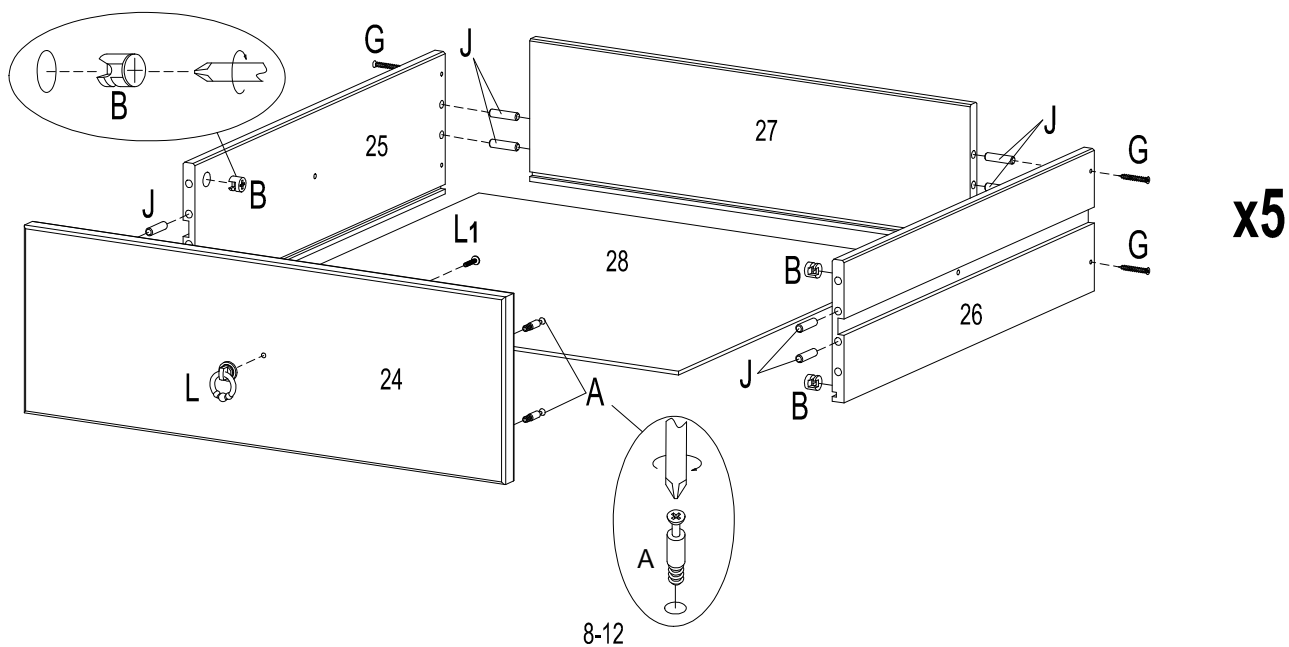
14



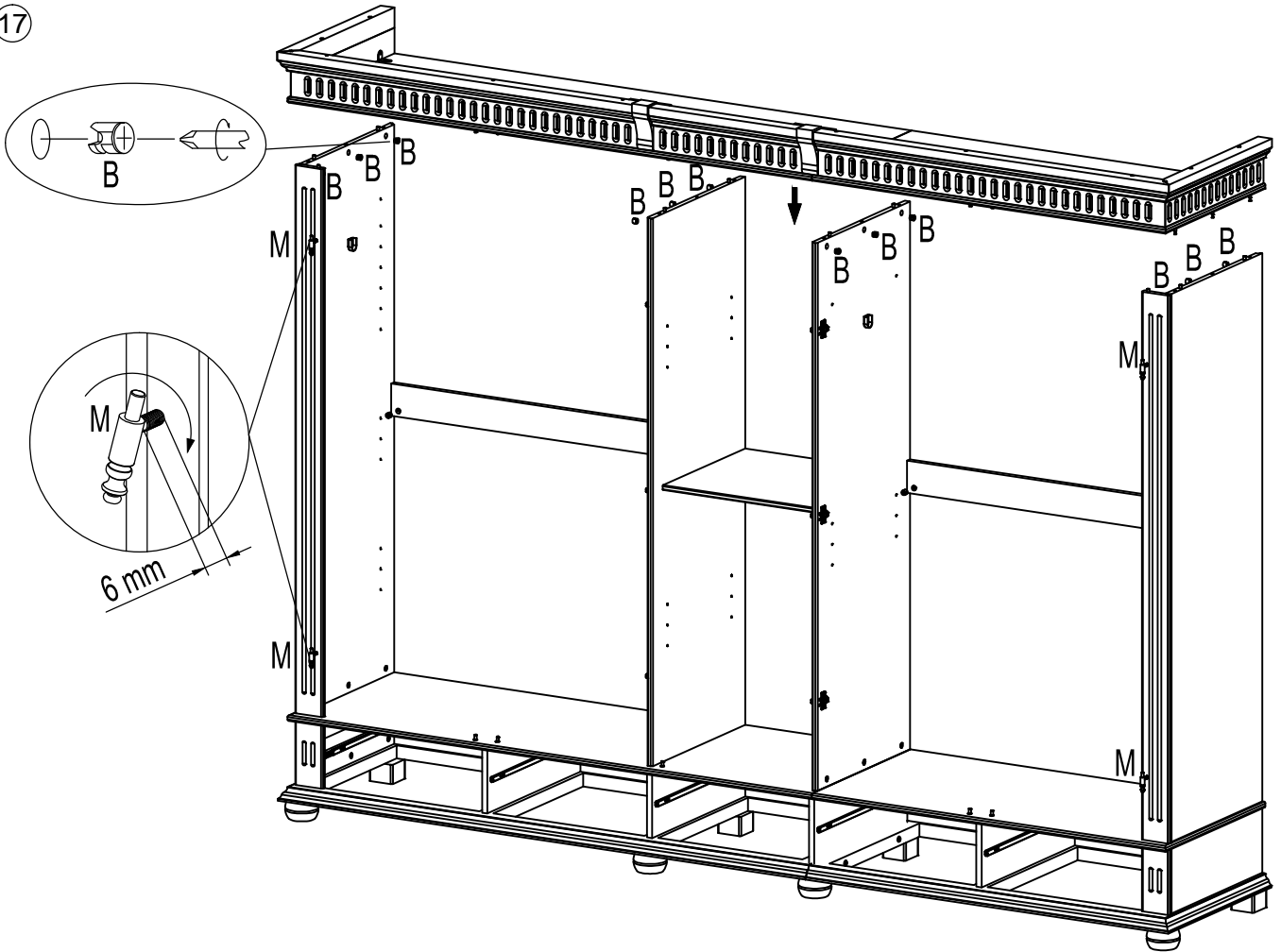
15



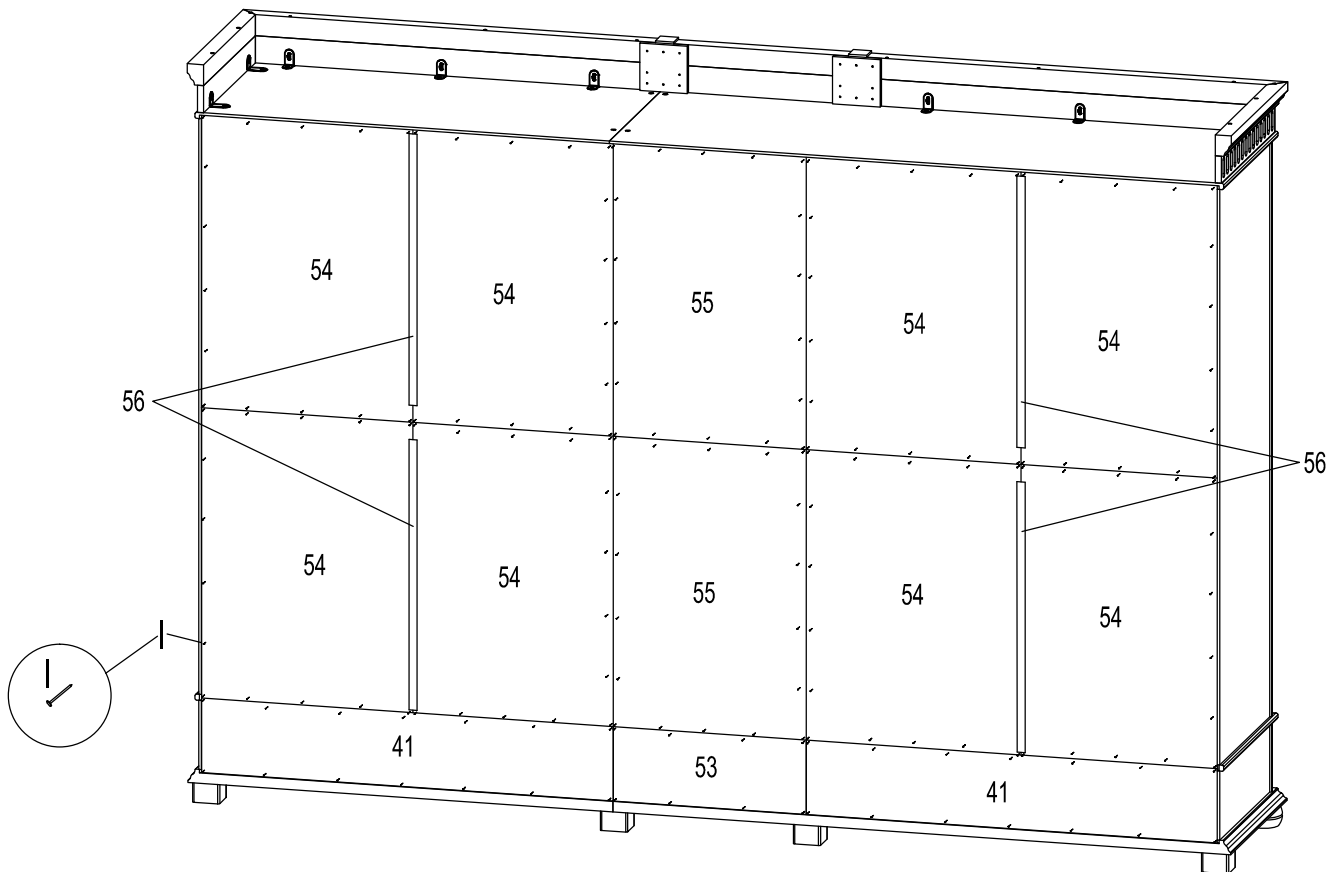
16



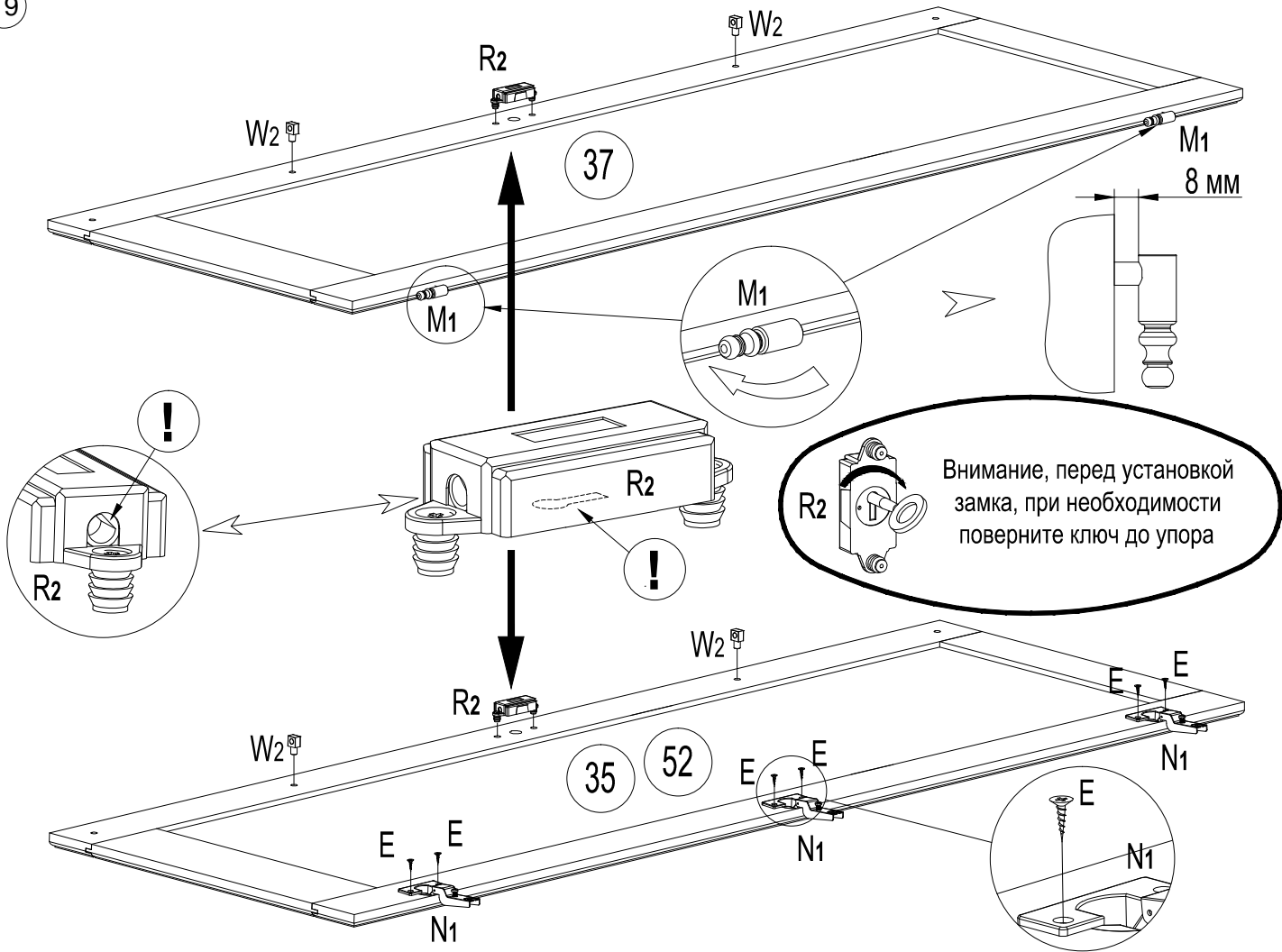
17



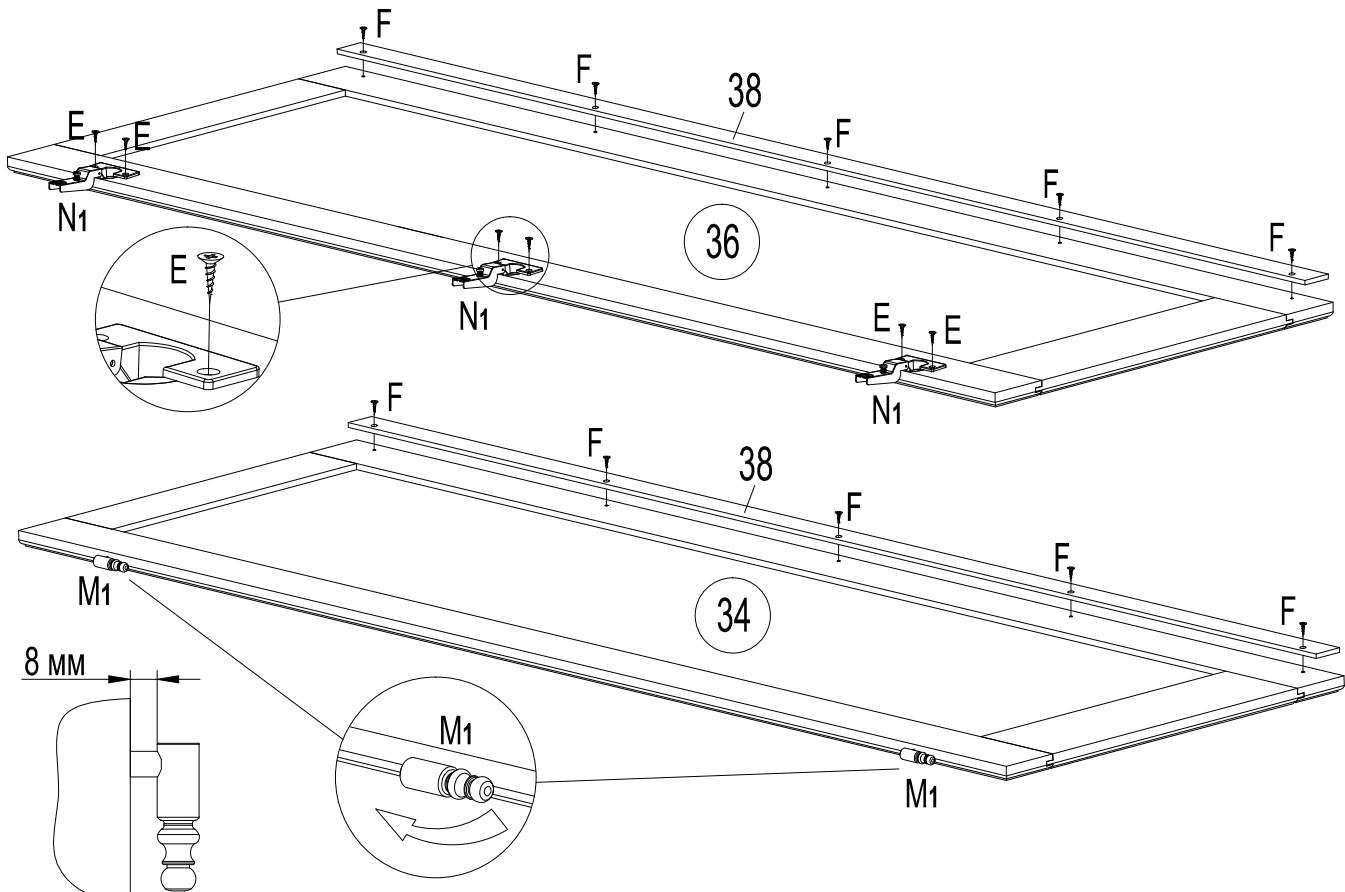
18



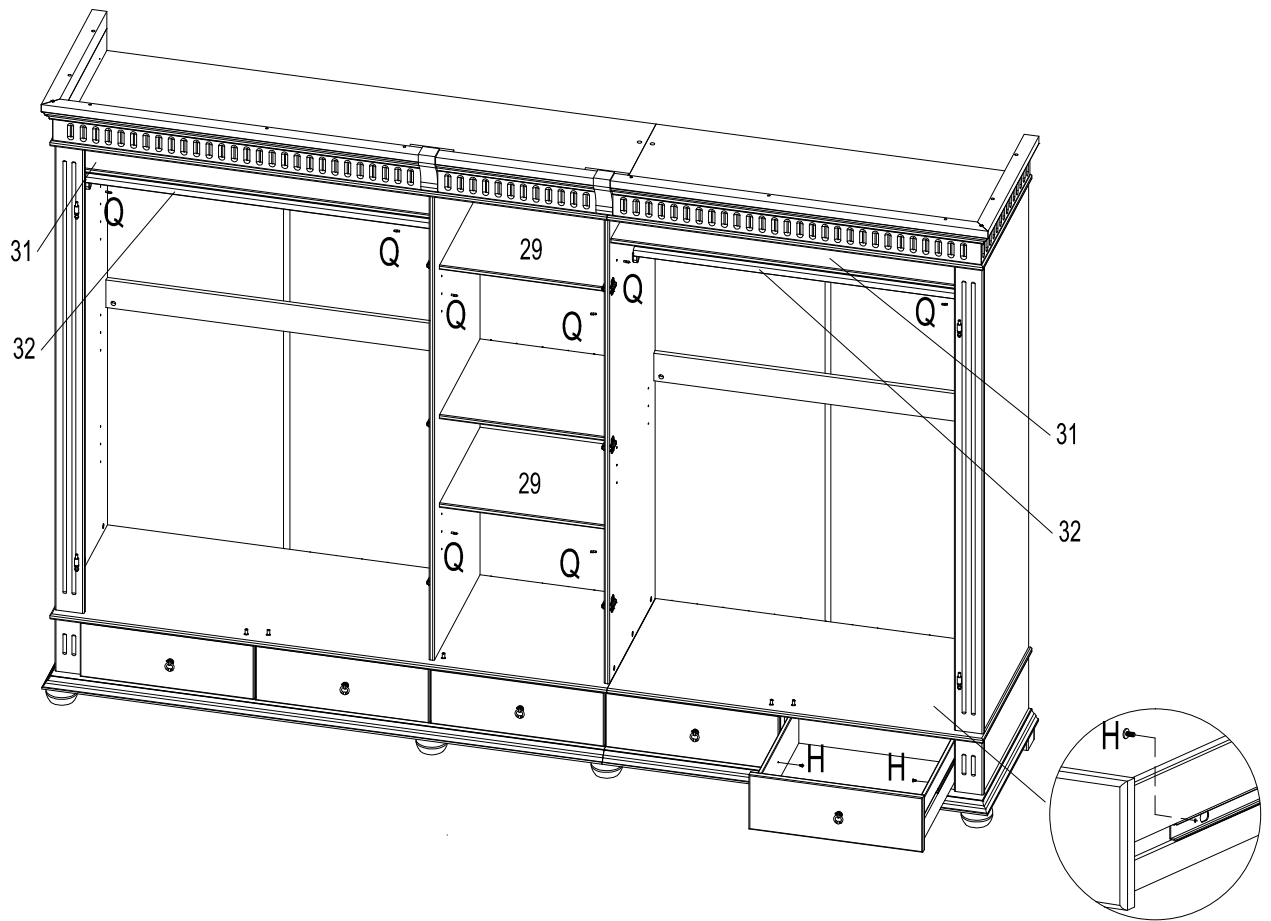
19



20



23



24

